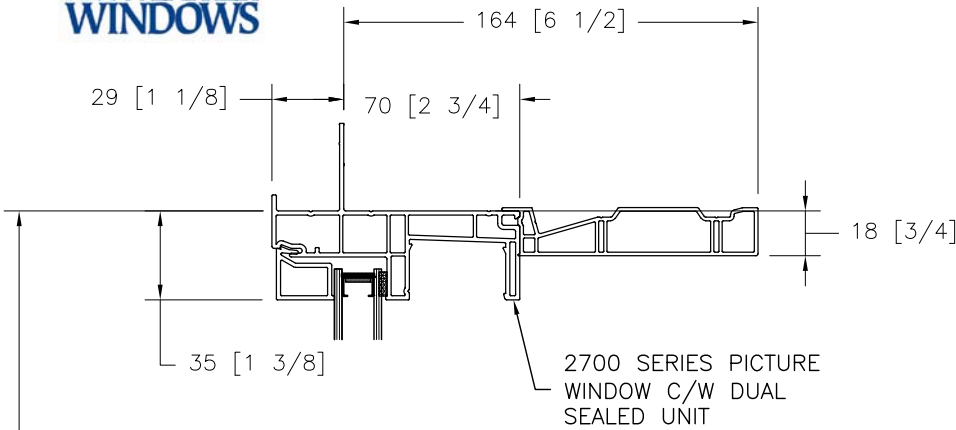




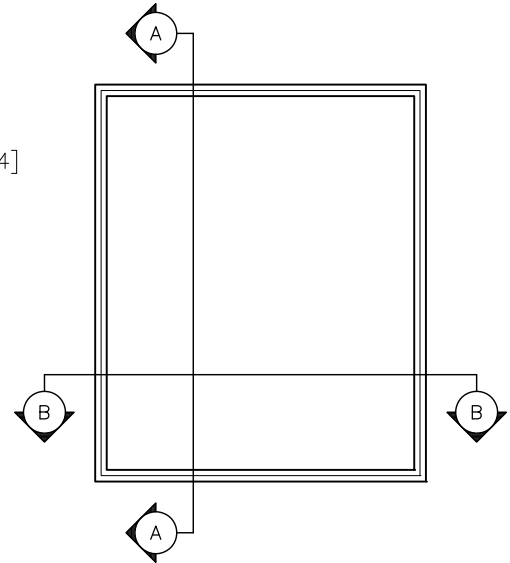
TERRA

2700 SERIES SECTION DETAILS PICTURE



HEAD DETAIL
FRAME DIMENSIONS

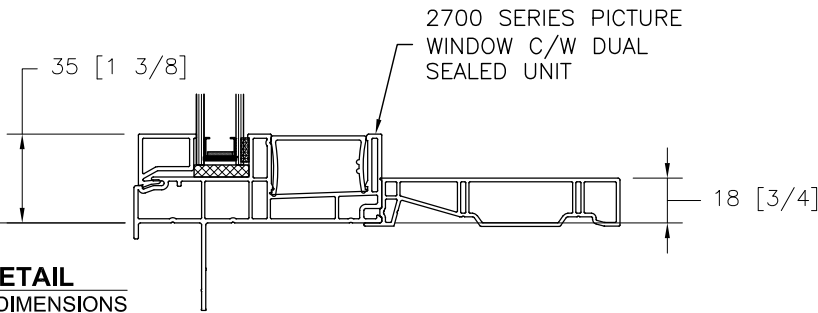
SECTION A - A



SAMPLE ELEVATION
EXTERIOR VIEW

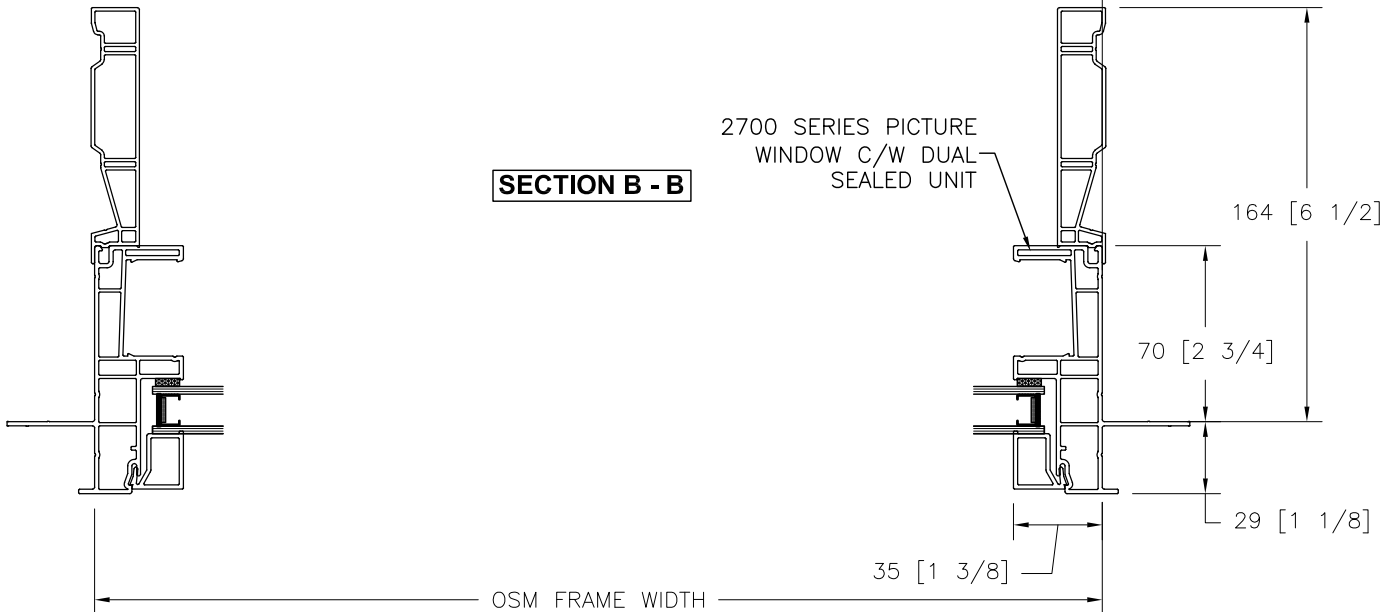
OSM FRAME HEIGHT

OSM FRAME HEIGHT



SILL DETAIL
FRAME DIMENSIONS

SECTION B - B

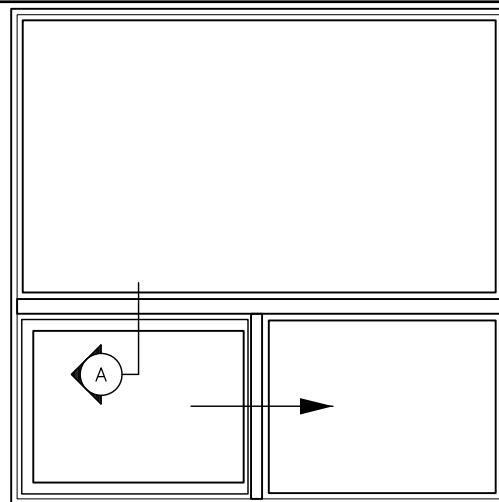
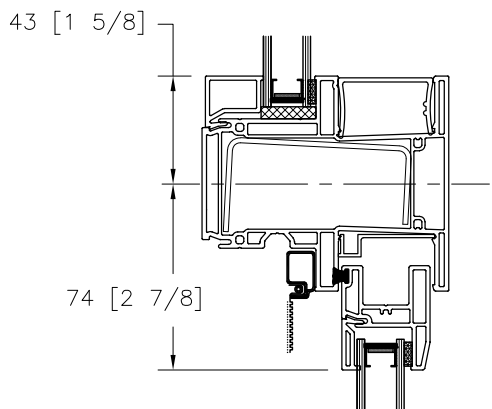


JAMB DETAIL
FRAME DIMENSIONS



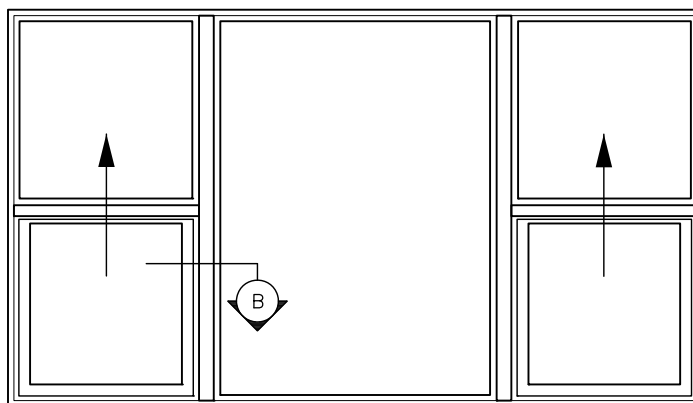
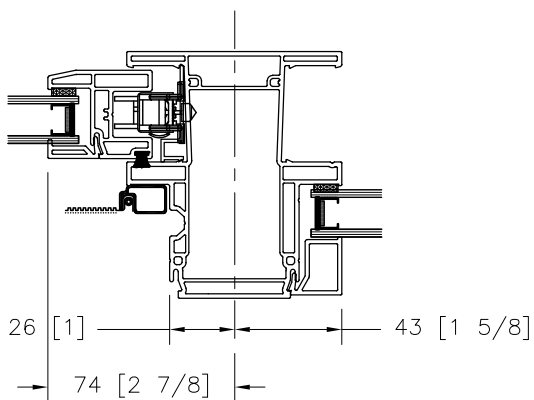
TERRA

2700 SERIES SECTION DETAILS MULLIONS



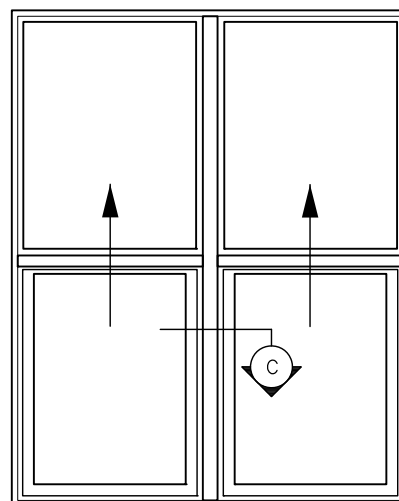
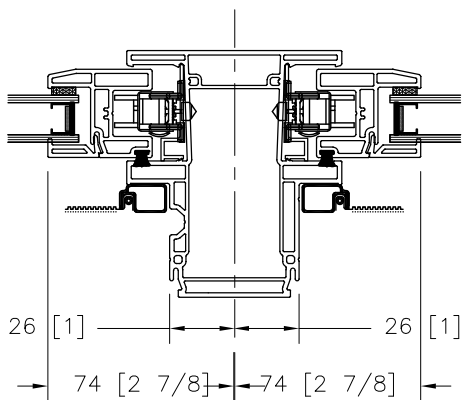
A. PICTURE / GLIDER
MULLION DETAIL C/W STEEL REINFORCING

SAMPLE ELEVATION
EXTERIOR VIEW



B. SINGLE HUNG - PICTURE
MULLION DETAIL

SAMPLE ELEVATION
EXTERIOR VIEW



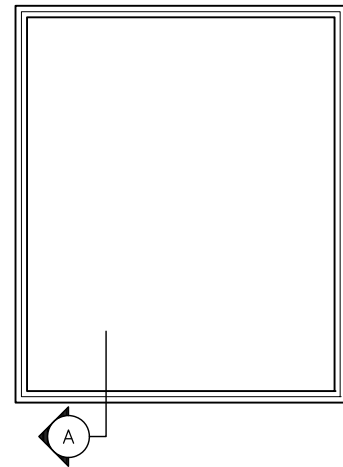
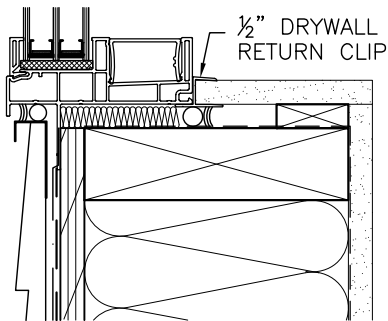
C. SINGLE HUNG - SINGLE HUNG
MULLION DETAIL

SAMPLE ELEVATION
EXTERIOR VIEW



TERRA

2700 SERIES SECTION DETAILS OPTIONS



A - 1/2" DRYWALL CLIP

OPTION: 1/2" DRYWALL CLIP SHOWN; 3/4" AVAILABLE.

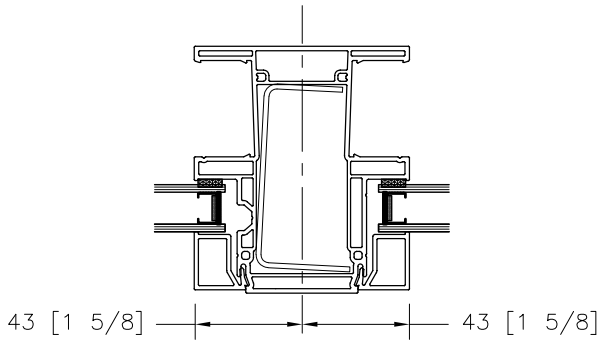
SAMPLE ELEVATION

EXTERIOR VIEW

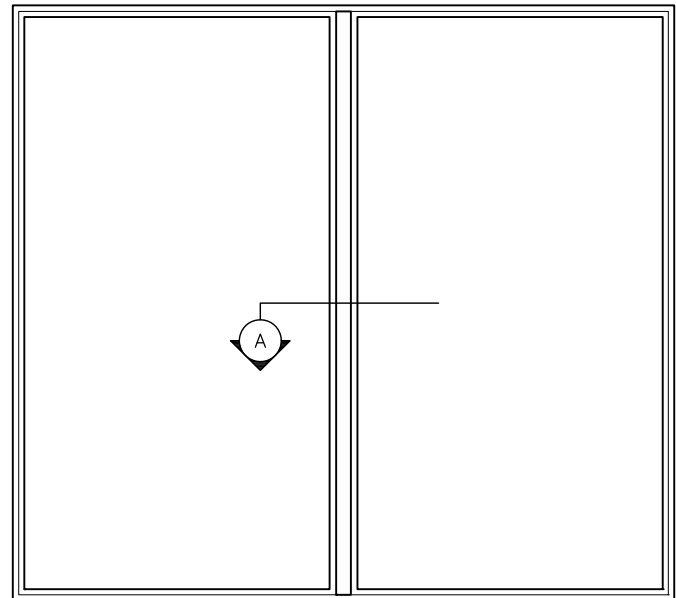


TERRA

2700 SERIES SECTION DETAILS REINFORCING



A. PICTURE - PICTURE
STEEL REINFORCED MULLION



SAMPLE ELEVATION
EXTERIOR VIEW

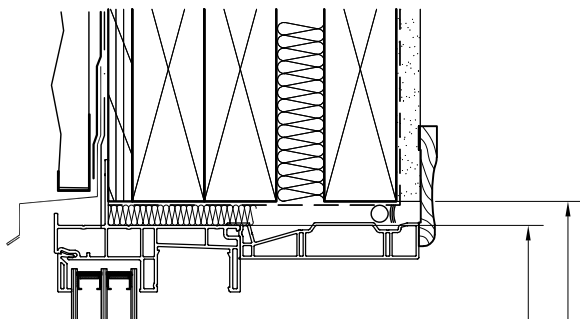


TERRA

2700 SERIES

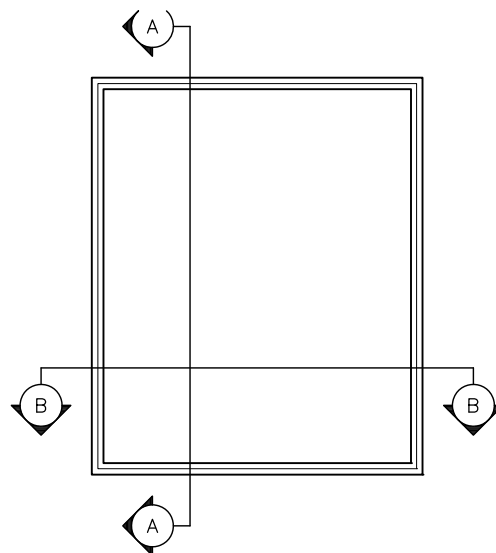
SECTION DETAILS

WALL DETAILS



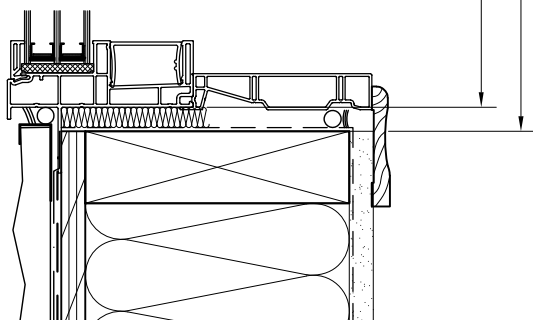
HEAD DETAIL
2x6 STUD WALL

SECTION A - A

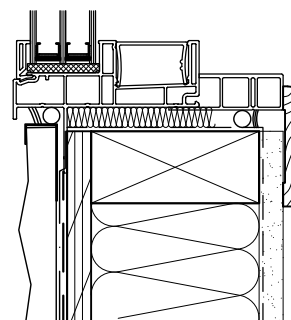


SAMPLE ELEVATION
EXTERIOR VIEW

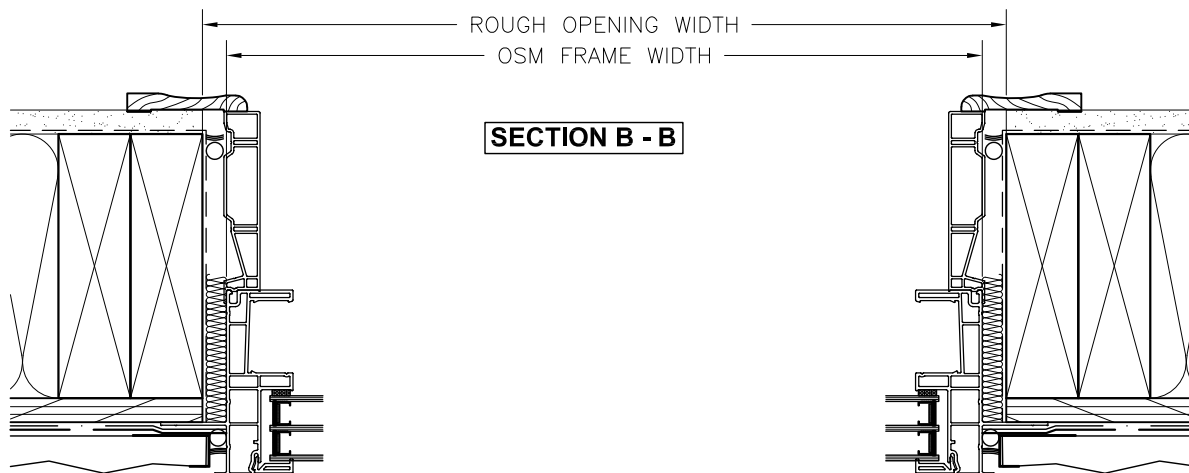
OSM FRAME HEIGHT
ROUGH OPENING HEIGHT



SILL DETAIL
2x6 STUD WALL



SILL DETAIL
2x4 STUD WALL



SECTION B - B

JAMB DETAIL
2x6 STUD WALL