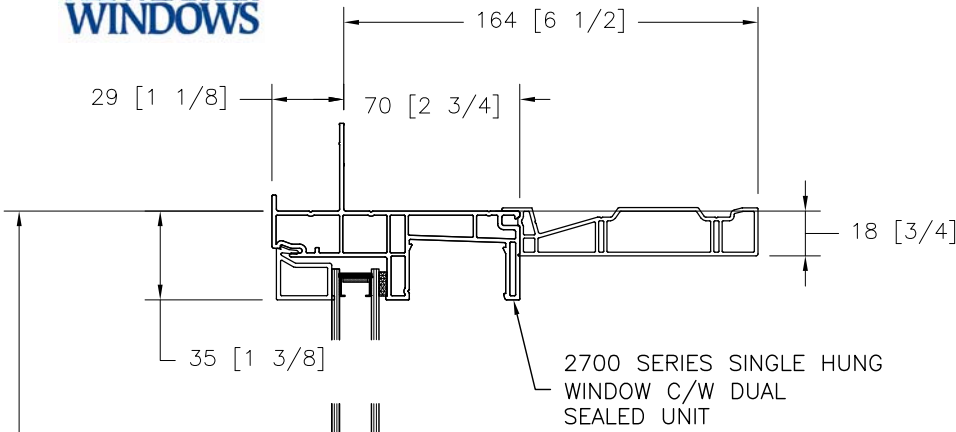


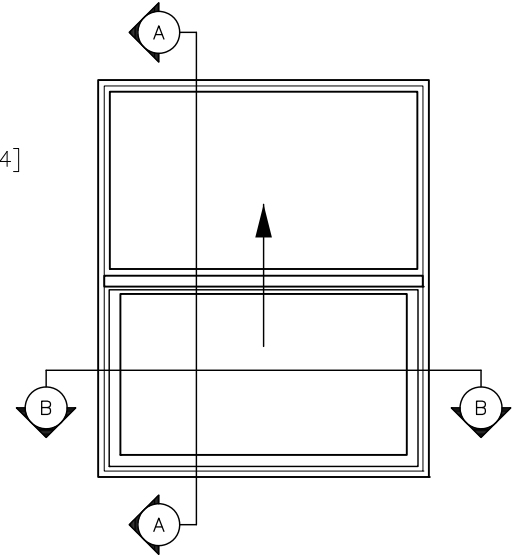


TERRA

2700 SERIES SECTION DETAILS SINGLE HUNG

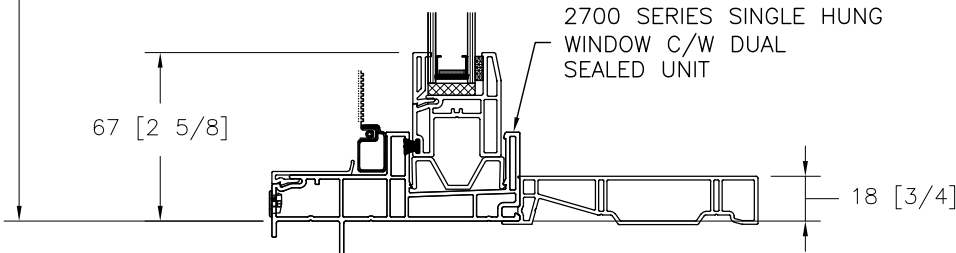


HEAD DETAIL
FRAME DIMENSIONS



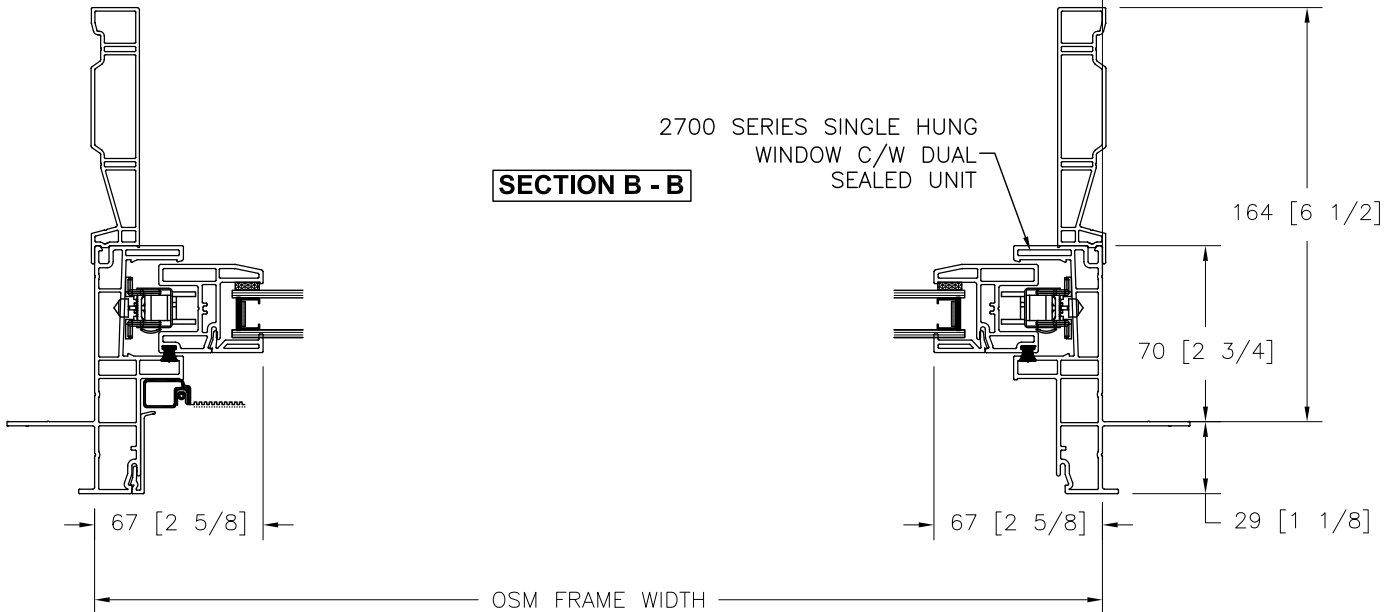
OSM FRAME HEIGHT

SECTION A - A



SILL DETAIL
FRAME DIMENSIONS

SECTION B - B

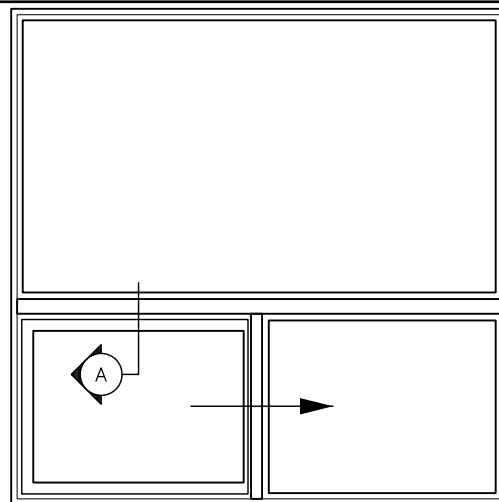
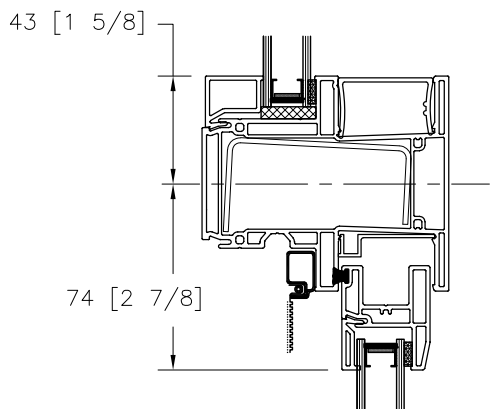


JAMB DETAIL
FRAME DIMENSIONS



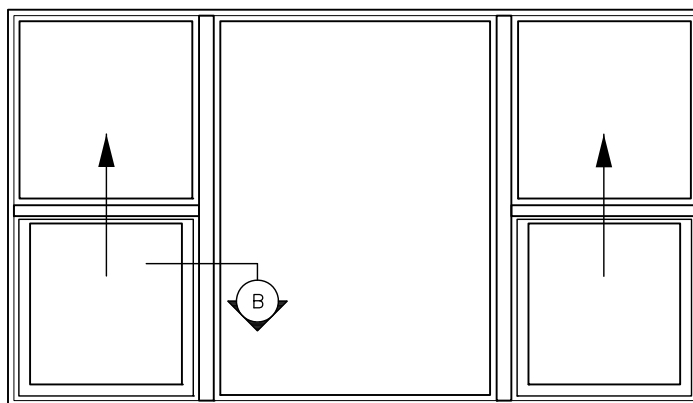
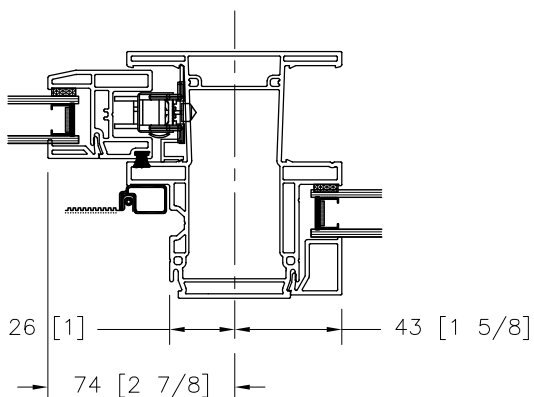
TERRA

2700 SERIES SECTION DETAILS MULLIONS



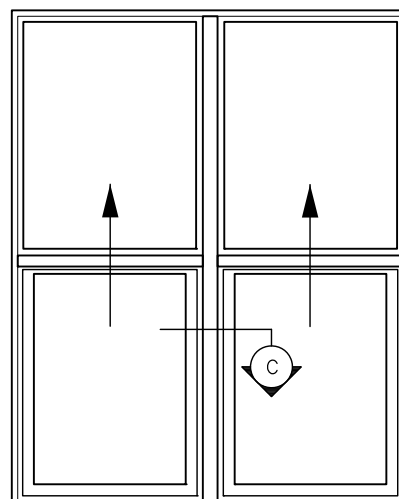
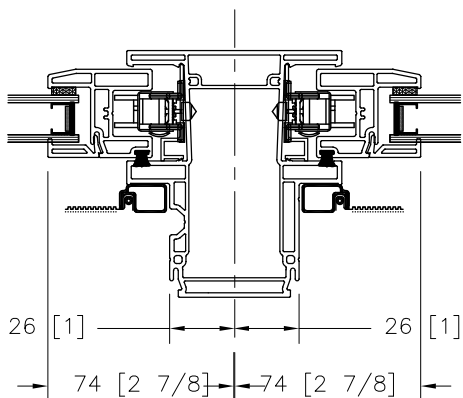
A. PICTURE / GLIDER
MULLION DETAIL C/W STEEL REINFORCING

SAMPLE ELEVATION
EXTERIOR VIEW



B. SINGLE HUNG - PICTURE
MULLION DETAIL

SAMPLE ELEVATION
EXTERIOR VIEW



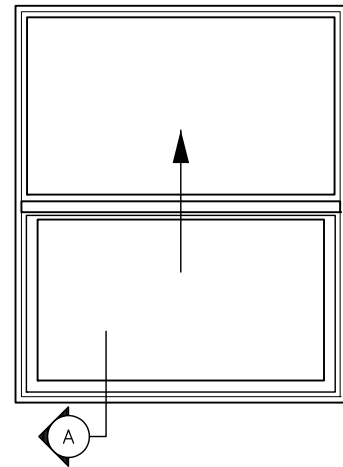
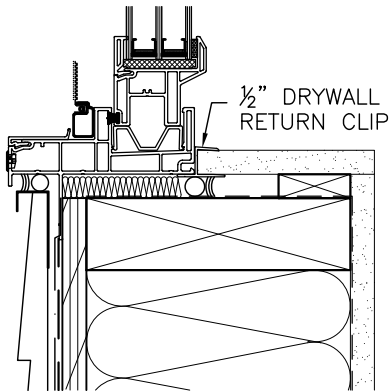
C. SINGLE HUNG - SINGLE HUNG
MULLION DETAIL

SAMPLE ELEVATION
EXTERIOR VIEW



TERRA

2700 SERIES SECTION DETAILS OPTIONS



A - 1/2" DRYWALL CLIP

OPTION: 1/2" DRYWALL CLIP SHOWN; 3/4" AVAILABLE.

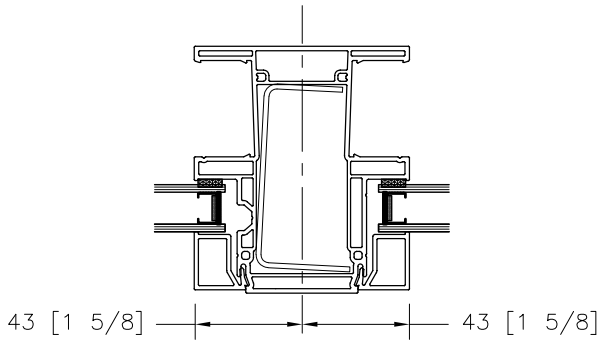
SAMPLE ELEVATION

EXTERIOR VIEW

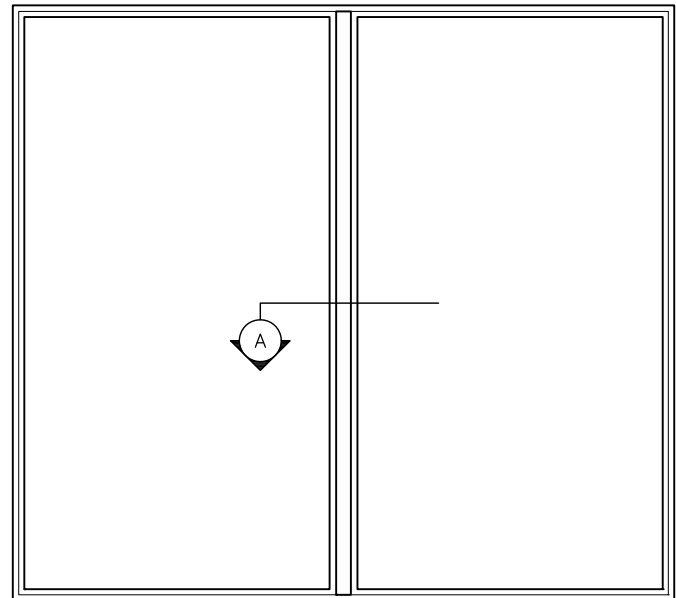


TERRA

2700 SERIES SECTION DETAILS REINFORCING



A. PICTURE - PICTURE
STEEL REINFORCED MULLION



SAMPLE ELEVATION
EXTERIOR VIEW



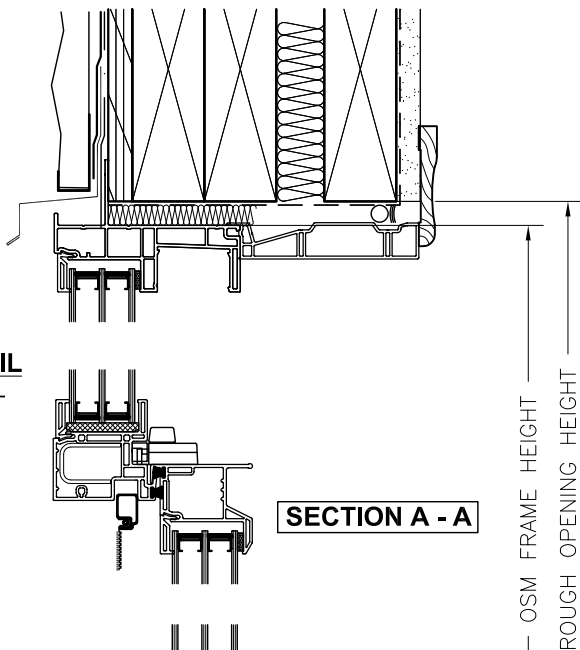
TERRA

2700 SERIES

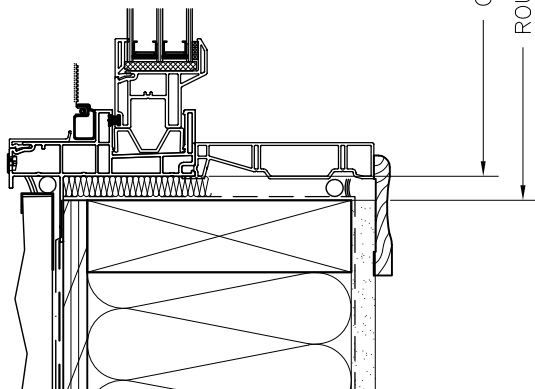
SECTION DETAILS

WALL DETAILS

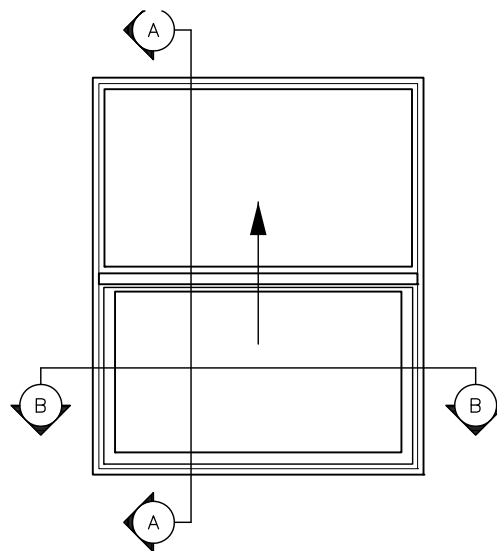
HEAD DETAIL
2x6 STUD WALL



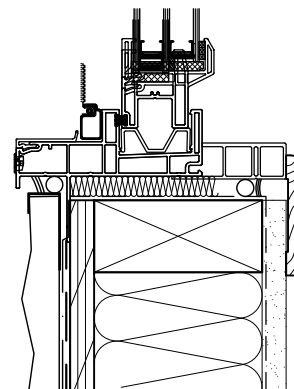
SILL DETAIL
2x6 STUD WALL



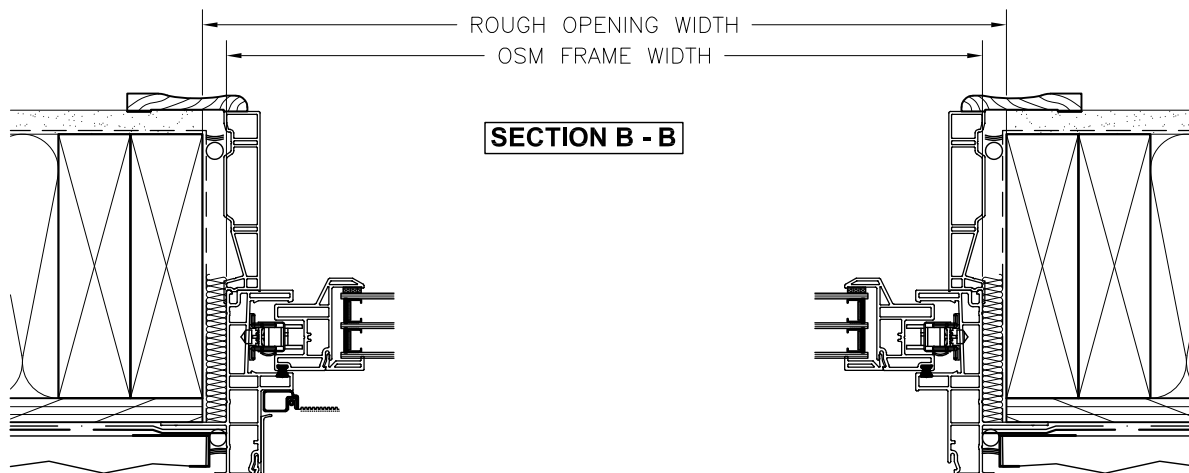
SAMPLE ELEVATION
EXTERIOR VIEW



SILL DETAIL
2x4 STUD WALL



SECTION B - B



JAMB DETAIL
2x6 STUD WALL