



ALL WEATHER WINDOWS

All Weather Windows Attic Hatch Installation

1. Prepare rough opening between 24" on center roof trusses, 22.5" x 30.25" inside dimensions. (Fig. 1)
2. Remove insulated panel from attic hatch frame and put aside.
3. Install frame into rough opening and tack in place with screws or nails through the nail fin.
4. Measure corner to corner to ensure the frame is square (+/- 1/8"). Use a level to make sure frame is not twisted in the opening (one corner lower than the rest). Adjust as necessary.
5. **Frame must be fastened with eight #8 x 2" pan head screws in predrilled holes through the frame.** Use shims at screw locations to prevent the screws from bowing the frame. (Fig. 2 and 3)
6. Clean weatherstrip of any debris. Lift insulated panel sideways through frame opening into attic, rotate flat and set in place.
7. **Ensure panel is seated and sealed against the weatherstrip and the latches operate properly to avoid condensation buildup.**
8. **Securely seal vapor barrier to the nail fin to avoid condensation buildup in the attic. (Fig. 3)**
9. Install drywall and casing as shown in Fig. 3.
10. The bottom face of insulated panel can be painted but it is not required. **Do not paint the latches or weatherstrip!**

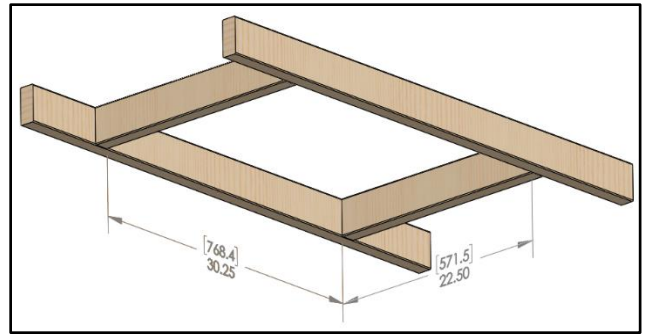


Figure 1

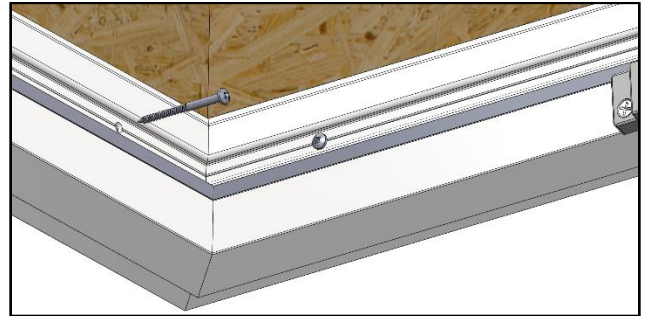


Figure 2

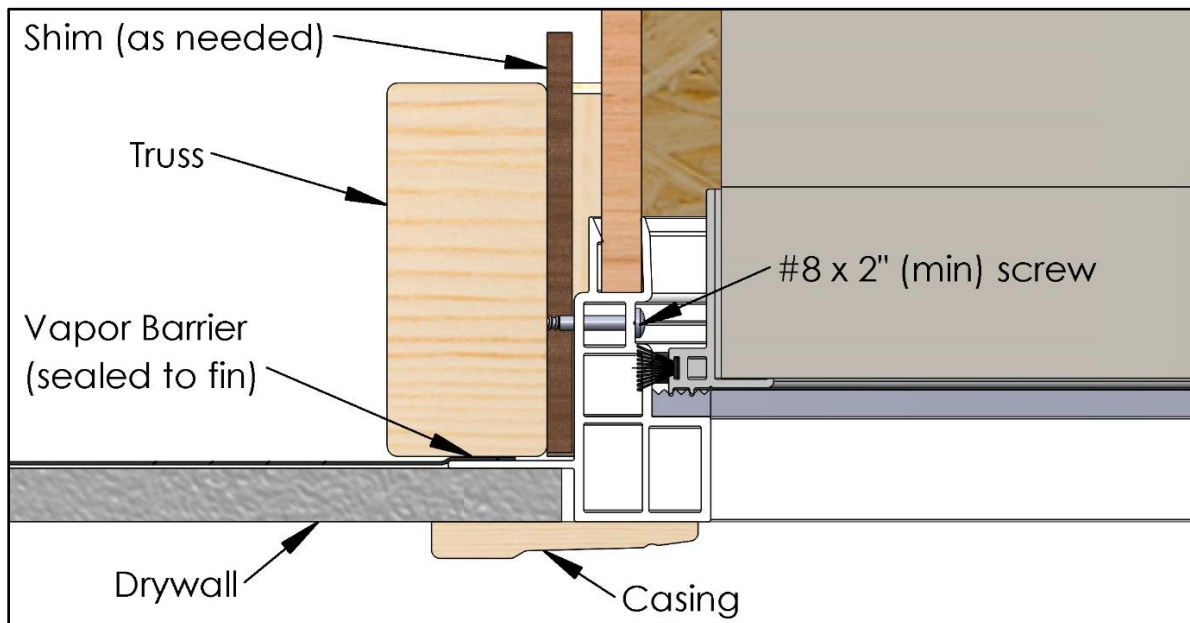


Figure 3