



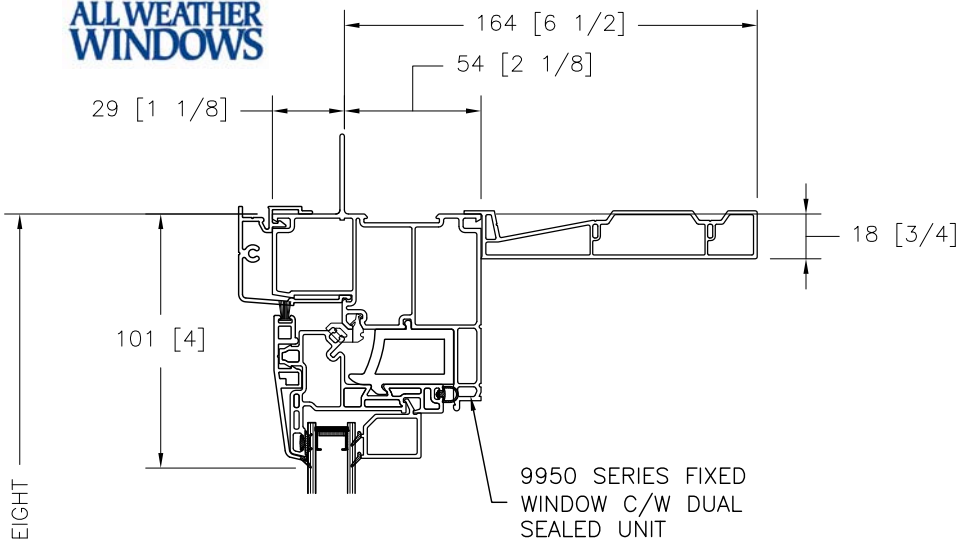
**ALL WEATHER
WINDOWS**

APEX ALLOY

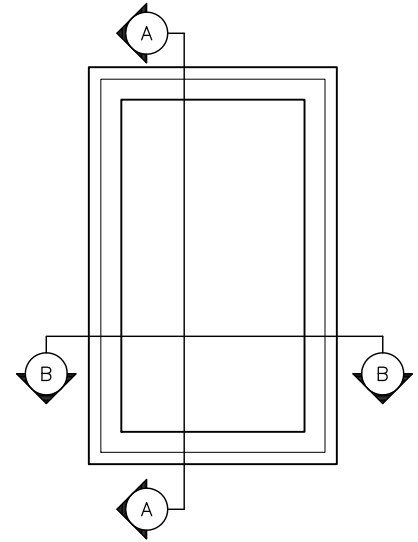
your ultimate window solution

9950 SERIES

SECTION DETAILS
FIXED

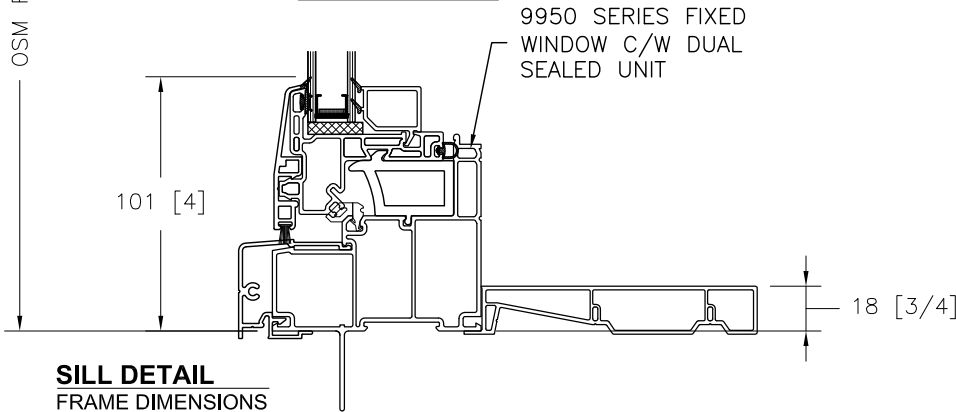


HEAD DETAIL
FRAME DIMENSIONS

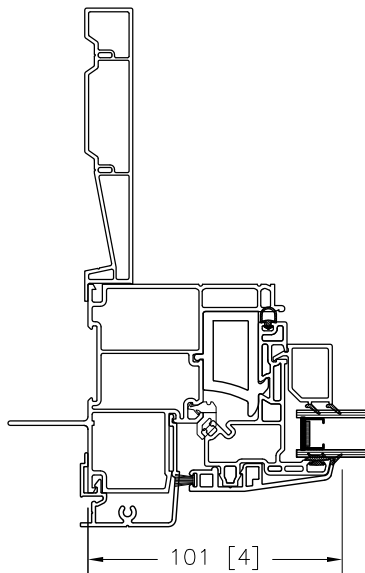


SAMPLE ELEVATION
EXTERIOR VIEW

SECTION A - A

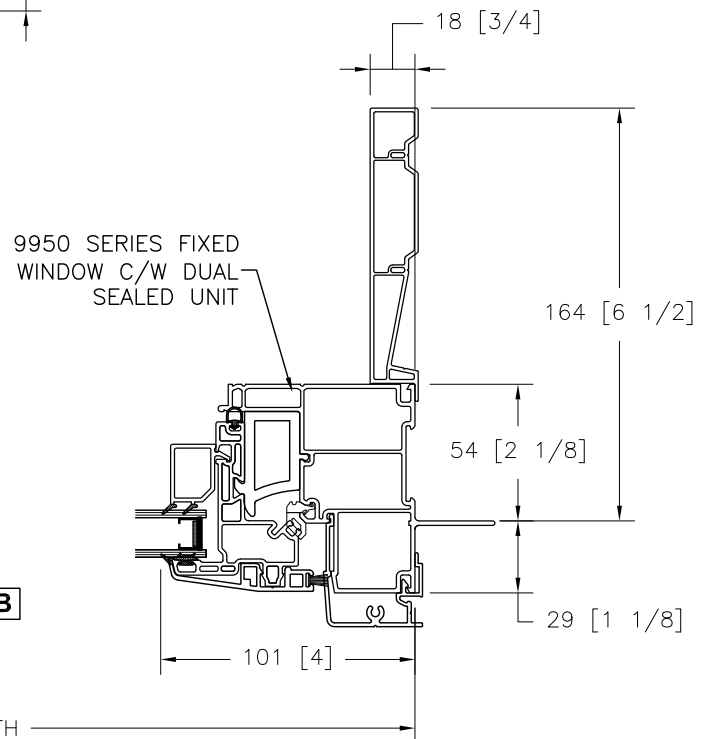


SILL DETAIL
FRAME DIMENSIONS



JAMB DETAIL
FRAME DIMENSIONS

SECTION B - B



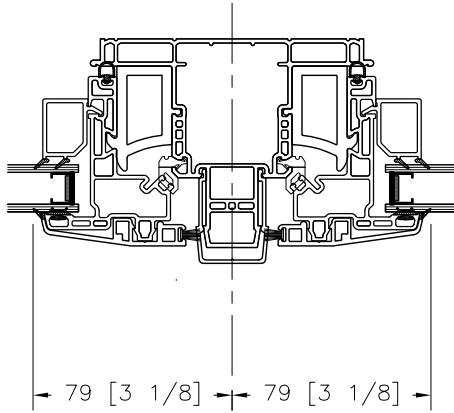


APEX ALLOY

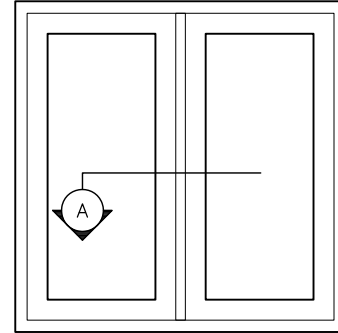
your ultimate window solution

9950 SERIES

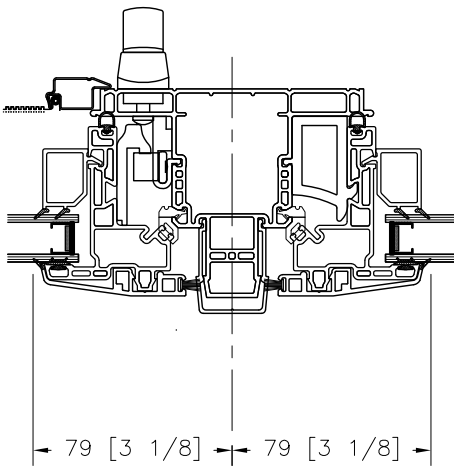
SECTION DETAILS
MULLIONS



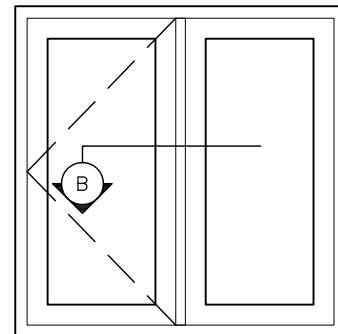
A. FIXED - FIXED
MULLION DETAIL



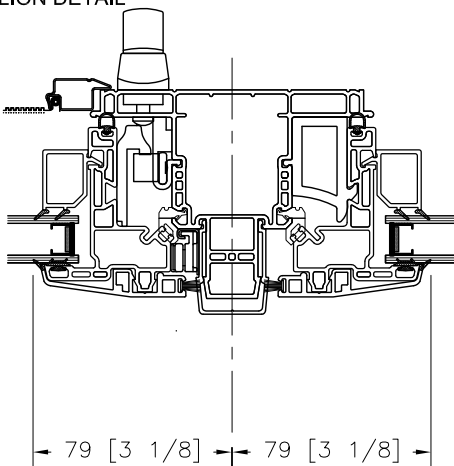
SAMPLE ELEVATION
EXTERIOR VIEW



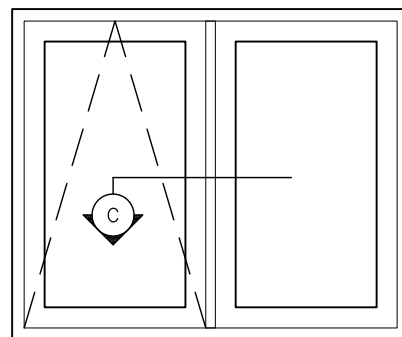
B. CASEMENT - FIXED
MULLION DETAIL



SAMPLE ELEVATION
EXTERIOR VIEW



C. AWNING - FIXED
MULLION DETAIL



SAMPLE ELEVATION
EXTERIOR VIEW

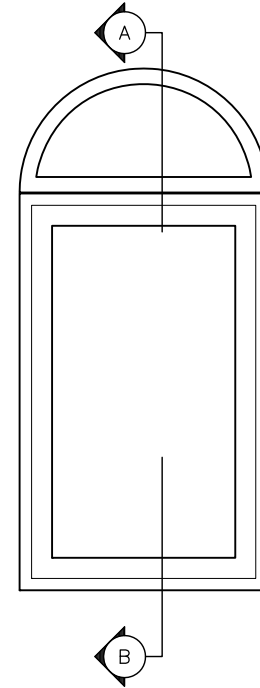
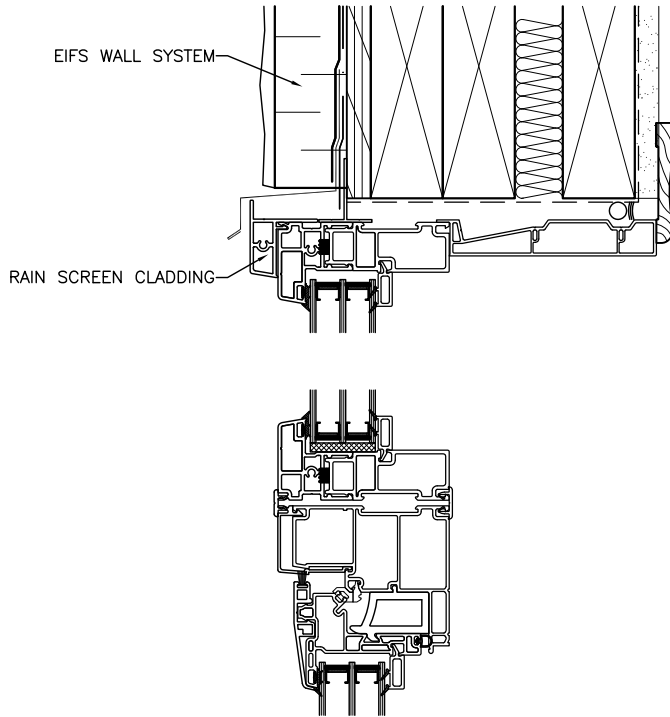


APEX ALLOY

your ultimate window solution

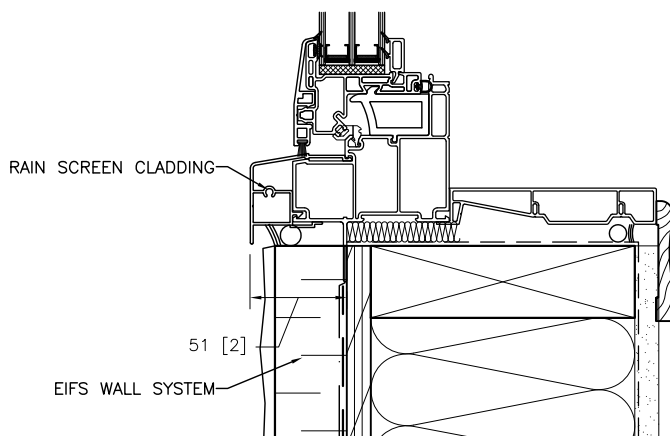
9950 SERIES

SECTION DETAILS
OPTIONS



A - SHAPE FRAME COMBINATION & TRIPANE GLAZING
OPTION WITH RAIN SCREEN CLADDING

SAMPLE ELEVATION
EXTERIOR VIEW



B - SHAPE FRAME COMBINATION & TRIPANE GLAZING
OPTION WITH RAIN SCREEN CLADDING

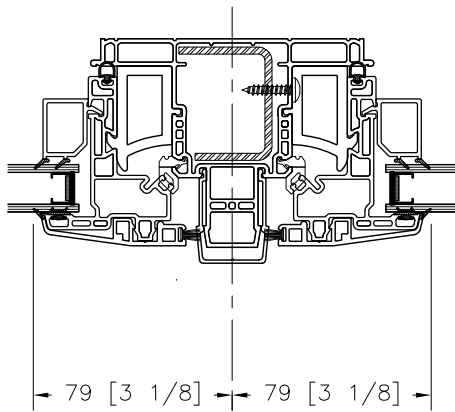


APEX ALLOY

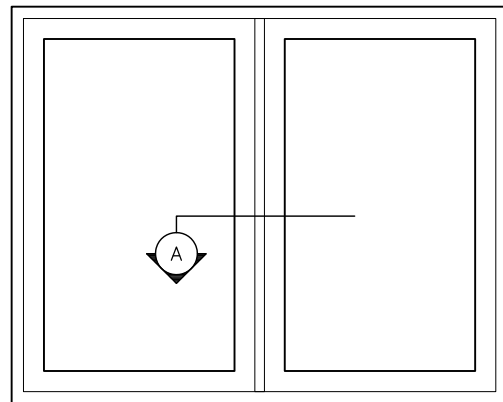
your ultimate window solution

9950 SERIES

SECTION DETAILS
REINFORCING



A. FIXED - FIXED
STEEL REINFORCED MULLION



SAMPLE ELEVATION
EXTERIOR VIEW

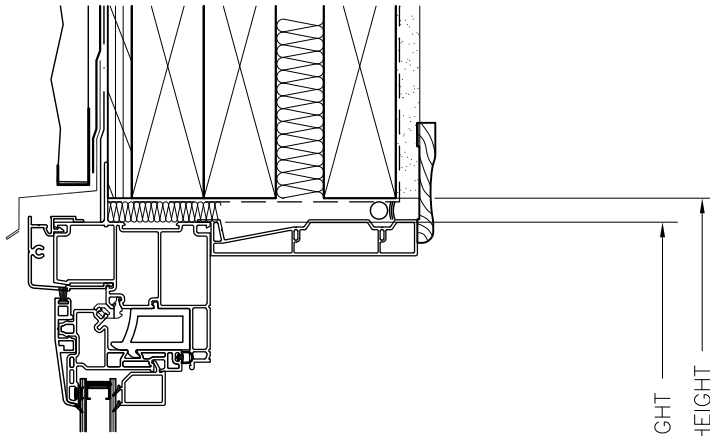


APEX ALLOY

your ultimate window solution

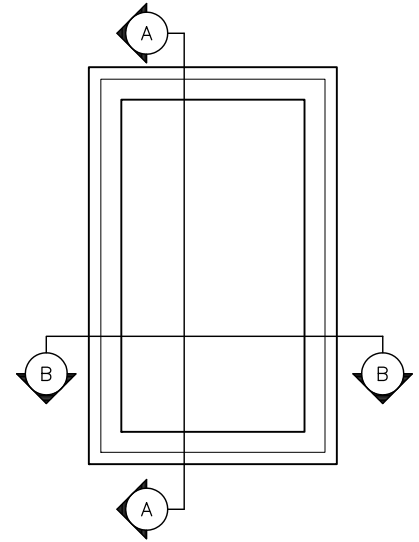
9950 SERIES

SECTION DETAILS
WALL DETAILS



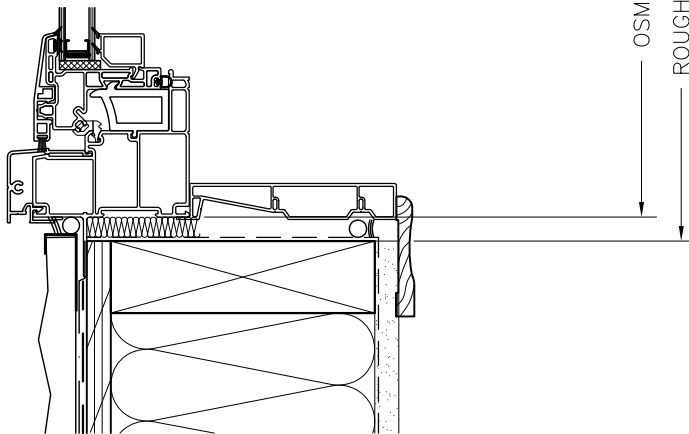
HEAD DETAIL
2x6 STUD WALL

SECTION A - A



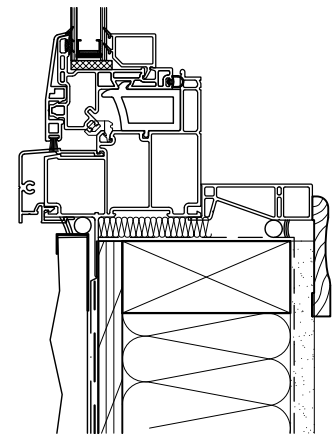
SAMPLE ELEVATION
EXTERIOR VIEW

OSM FRAME HEIGHT
ROUGH OPENING HEIGHT



SILL DETAIL
2x6 STUD WALL

SILL DETAIL
2x4 STUD WALL



JAMB DETAIL
2x6 STUD WALL

SECTION B - B

ROUGH OPENING WIDTH
OSM FRAME WIDTH

