



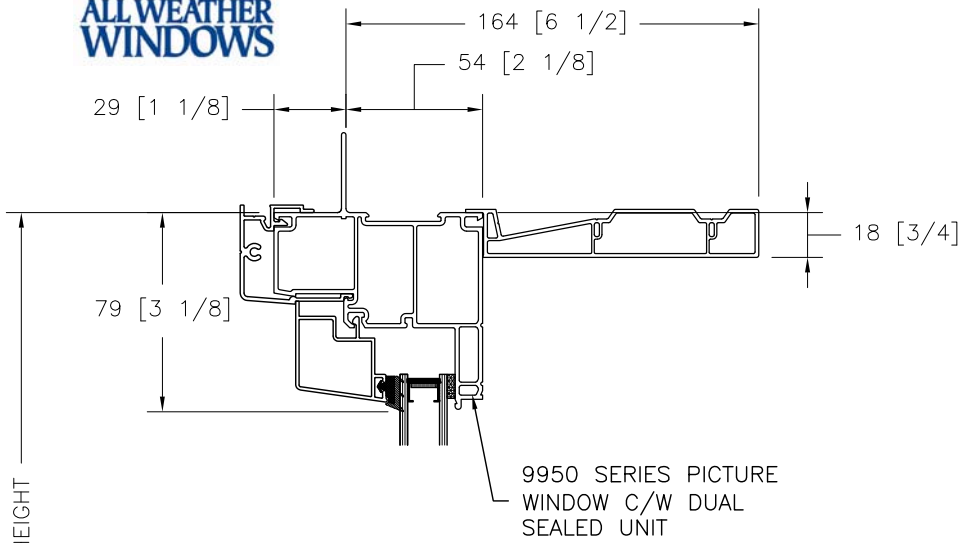
**ALL WEATHER  
WINDOWS**

# APEX ALLOY

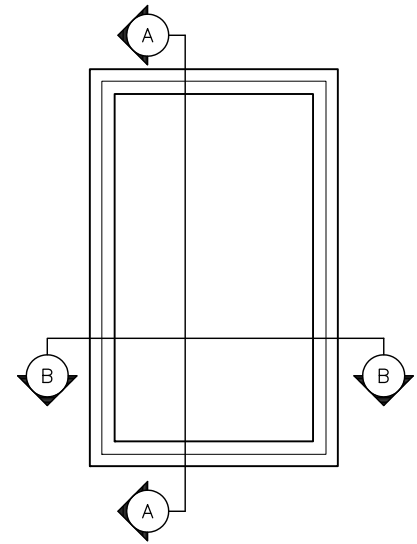
your ultimate window solution

## 9950 SERIES

SECTION DETAILS  
PICTURE

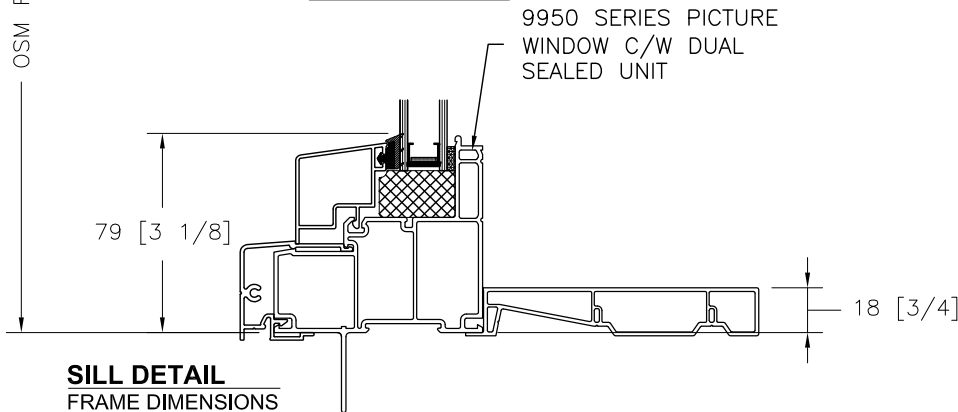


**HEAD DETAIL**  
FRAME DIMENSIONS

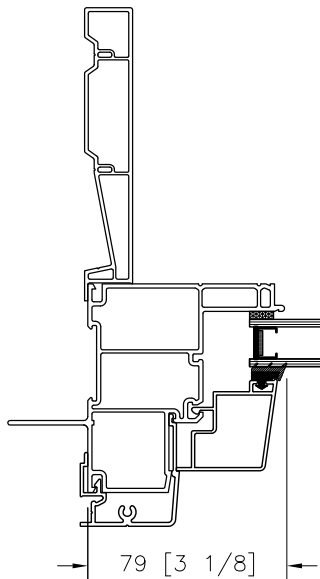


**SAMPLE ELEVATION**  
EXTERIOR VIEW

**SECTION A - A**

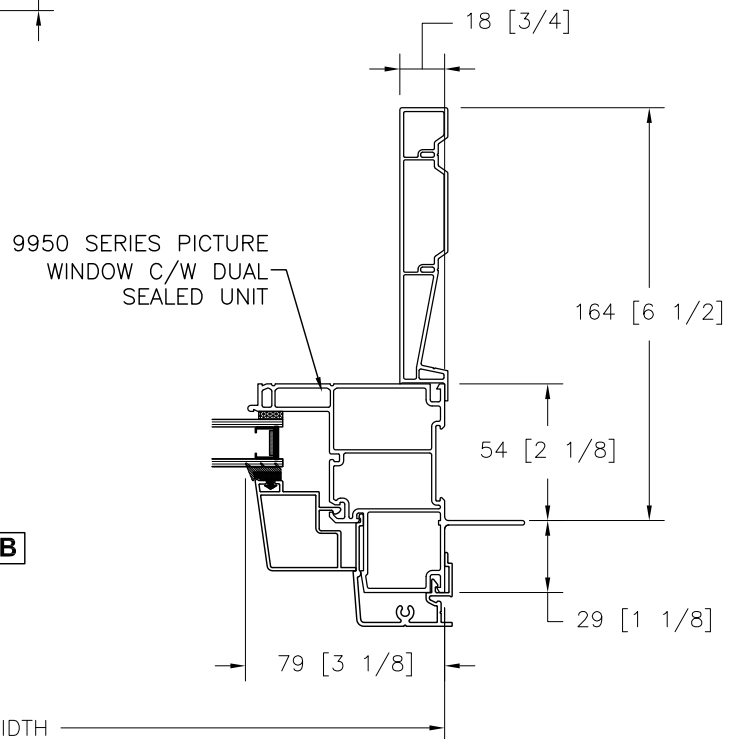


**SILL DETAIL**  
FRAME DIMENSIONS



**JAMB DETAIL**  
FRAME DIMENSIONS

**SECTION B - B**



OSM FRAME WIDTH

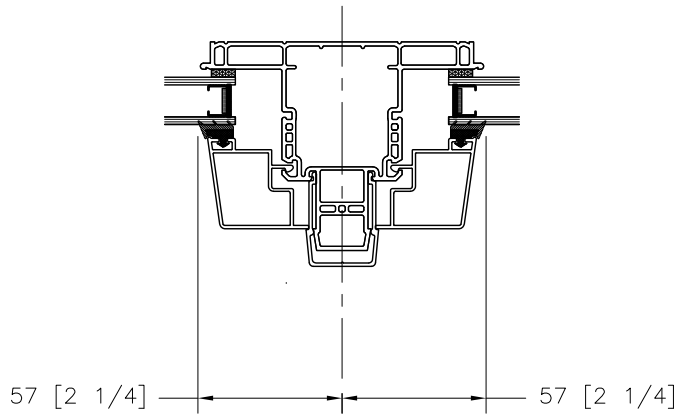


# APEX ALLOY

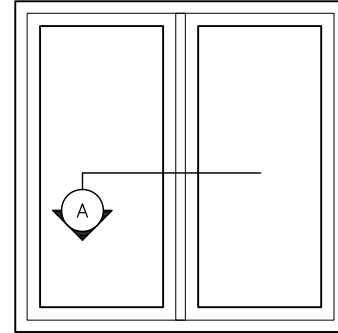
your ultimate window solution

## 9950 SERIES

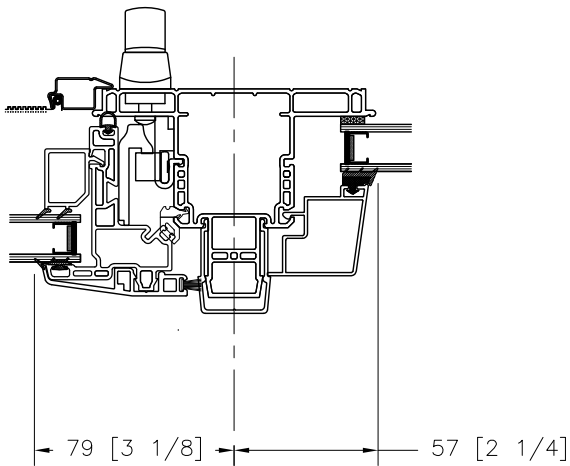
SECTION DETAILS  
MULLIONS



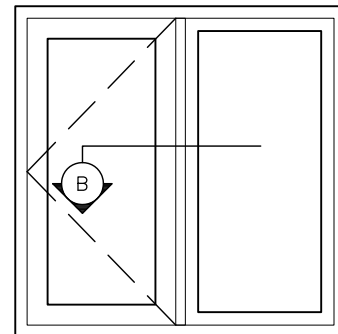
**A. PICTURE - PICTURE**  
MULLION DETAIL



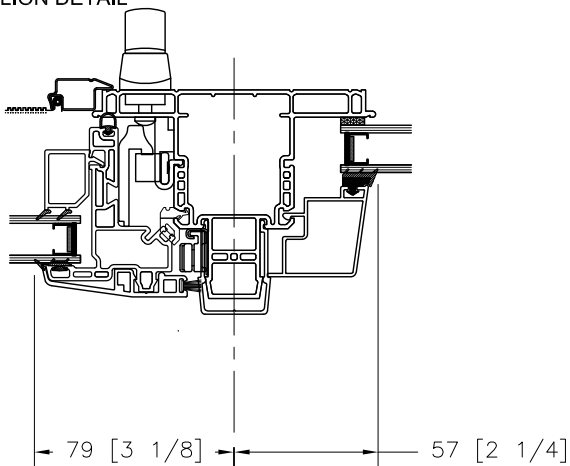
**SAMPLE ELEVATION**  
EXTERIOR VIEW



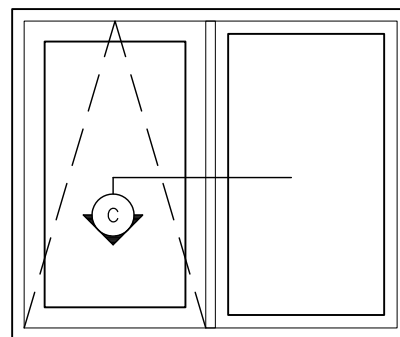
**B. CASEMENT - PICTURE**  
MULLION DETAIL



**SAMPLE ELEVATION**  
EXTERIOR VIEW



**C. AWNING - PICTURE**  
MULLION DETAIL



**SAMPLE ELEVATION**  
EXTERIOR VIEW

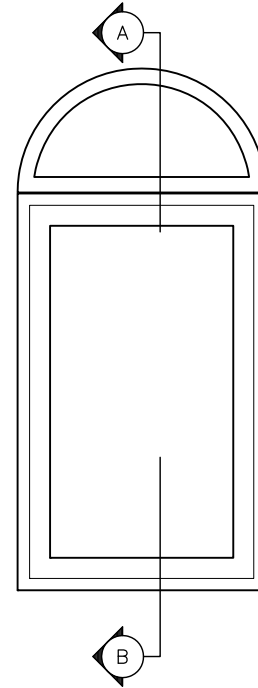
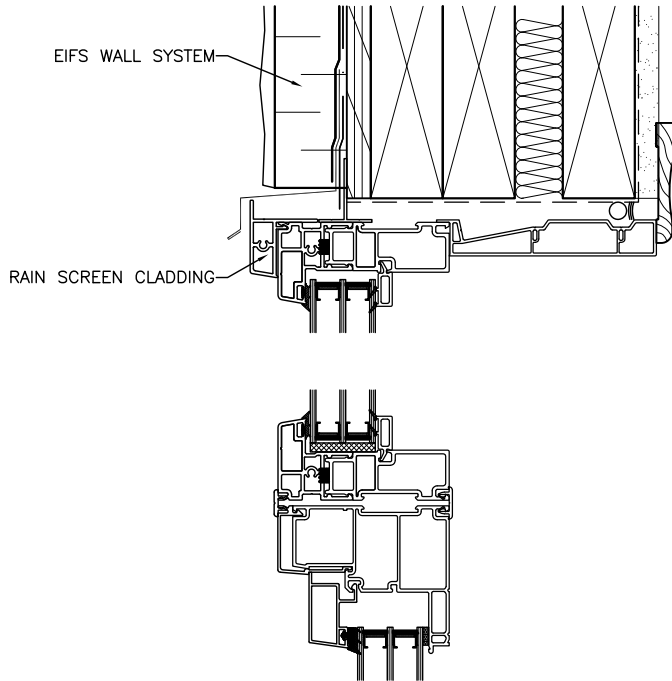


# APEX ALLOY

your ultimate window solution

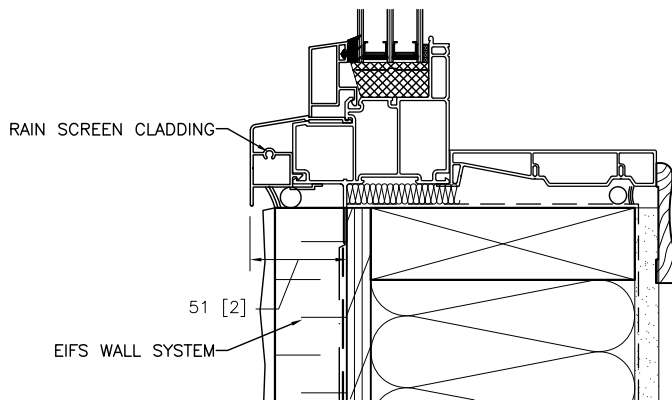
## 9950 SERIES

SECTION DETAILS  
OPTIONS



**A - SHAPE FRAME COMBINATION & TRIPANE GLAZING**  
OPTION WITH RAIN SCREEN CLADDING

**SAMPLE ELEVATION**  
EXTERIOR VIEW



**B - SHAPE FRAME COMBINATION & TRIPANE GLAZING**  
OPTION WITH RAIN SCREEN CLADDING

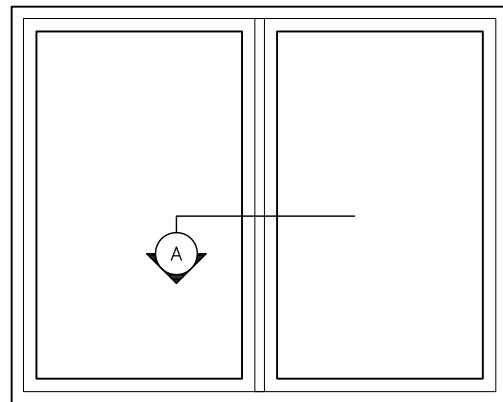
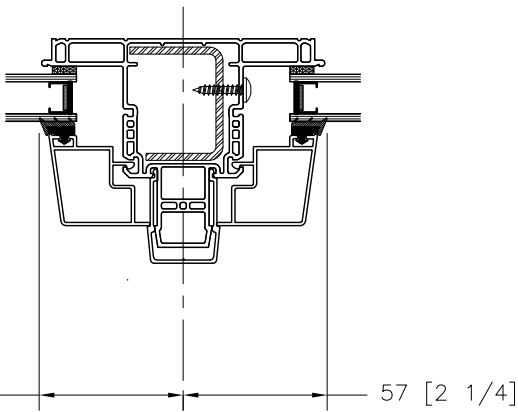


# APEX ALLOY

your ultimate window solution

## 9950 SERIES

SECTION DETAILS  
REINFORCING



**A. PICTURE - PICTURE**  
STEEL REINFORCED MULLION

**SAMPLE ELEVATION**  
EXTERIOR VIEW

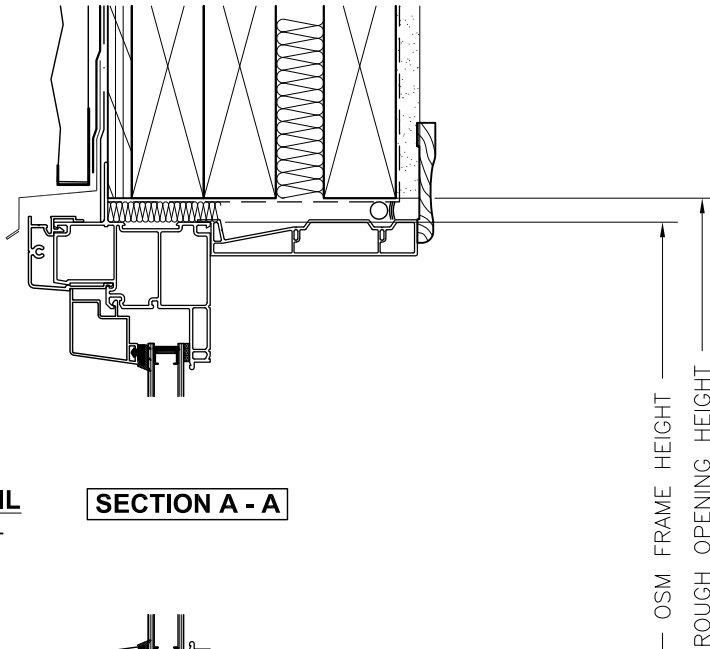


# APEX ALLOY

your ultimate window solution

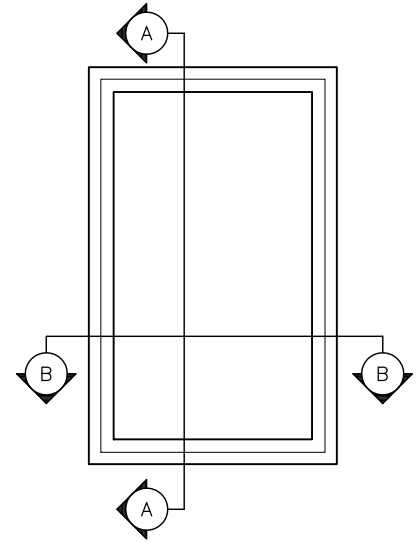
## 9950 SERIES

SECTION DETAILS  
WALL DETAILS

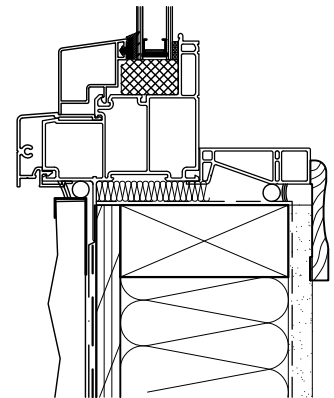
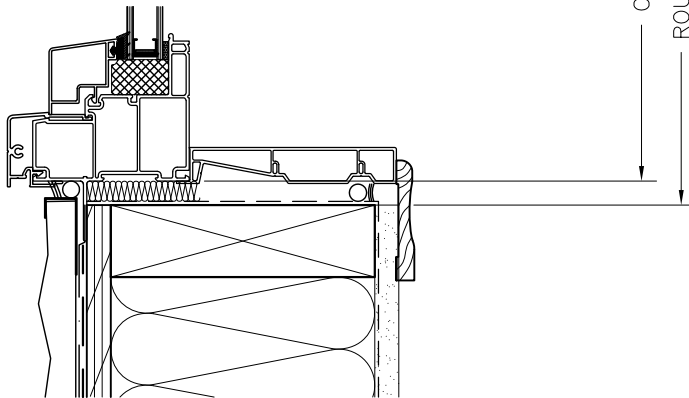


**HEAD DETAIL**  
2x6 STUD WALL

**SECTION A - A**

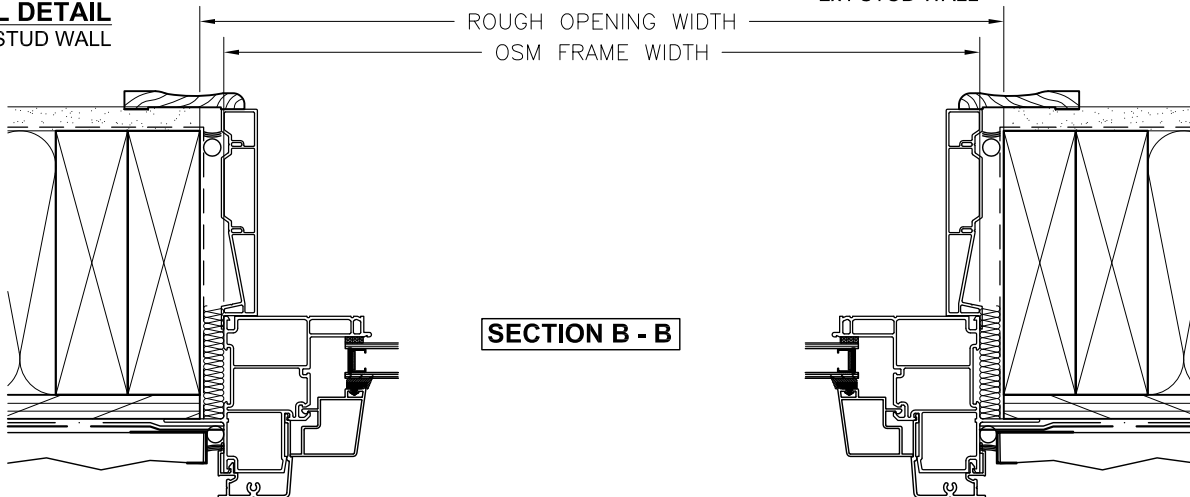


**SAMPLE ELEVATION**  
EXTERIOR VIEW



**SILL DETAIL**  
2x6 STUD WALL

**SILL DETAIL**  
2x4 STUD WALL



**JAMB DETAIL**  
2x6 STUD WALL

**SECTION B - B**