



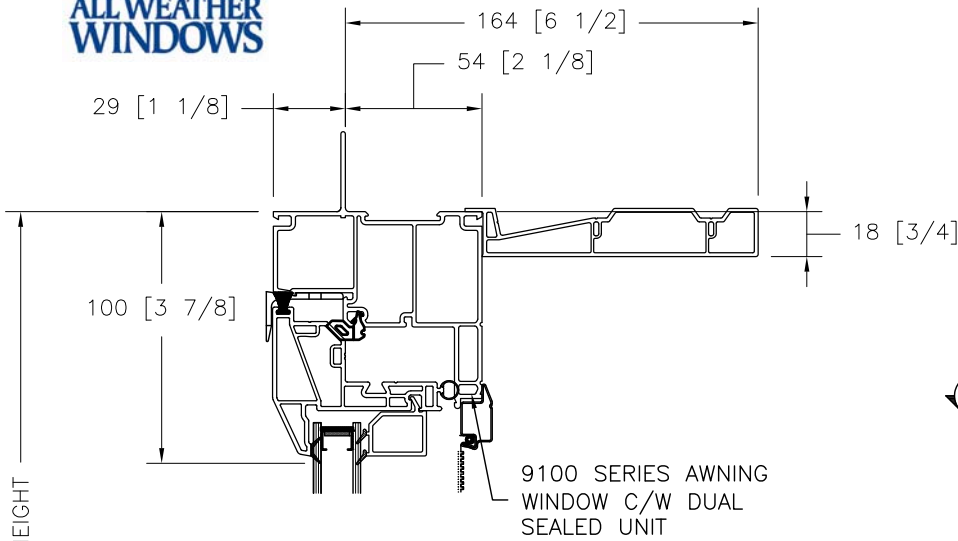
ALL WEATHER
WINDOWS

APEX

your ultimate window solution
with RENOLIT

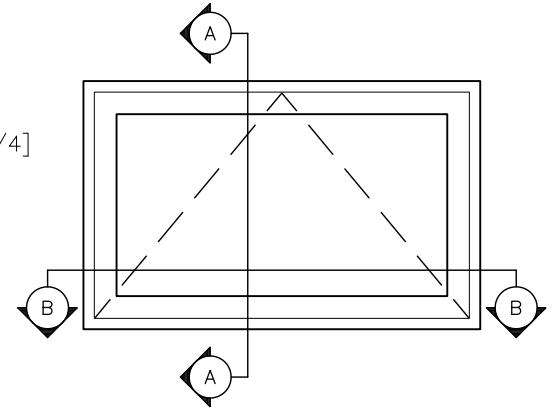
9100 SERIES

SECTION DETAILS
AWNING

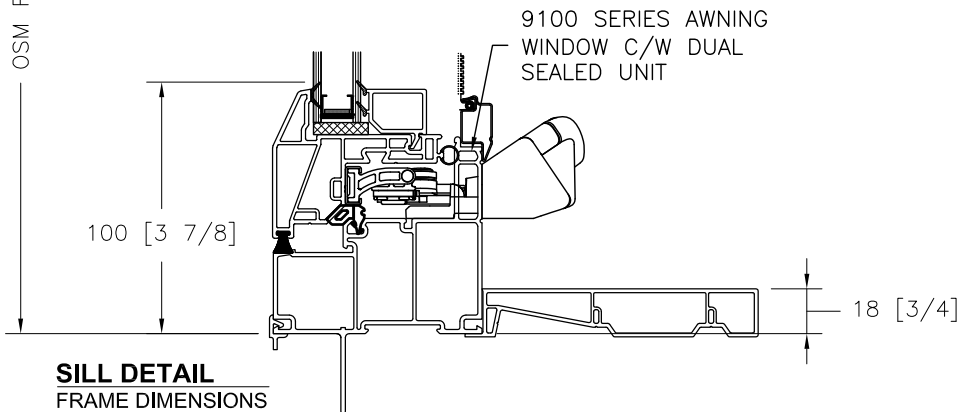


HEAD DETAIL
FRAME DIMENSIONS

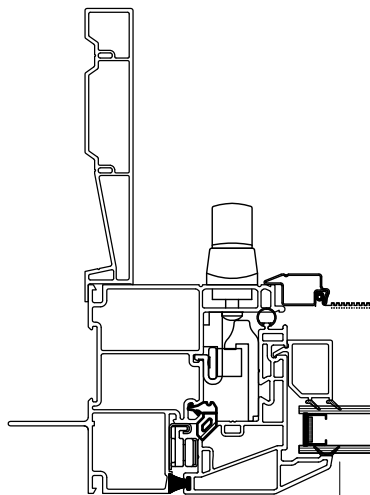
SECTION A - A



SAMPLE ELEVATION
EXTERIOR VIEW

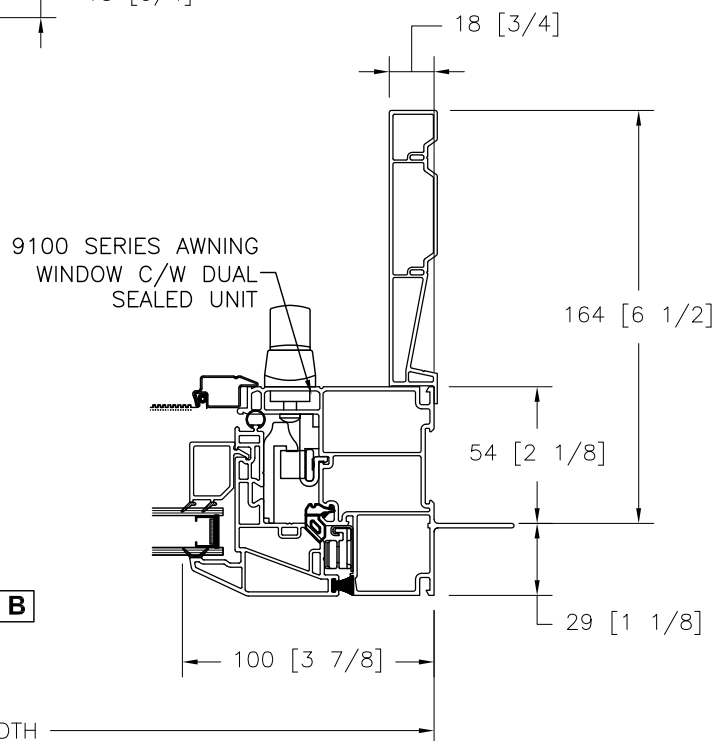


SILL DETAIL
FRAME DIMENSIONS



JAMB DETAIL
FRAME DIMENSIONS

SECTION B - B



OSM FRAME WIDTH

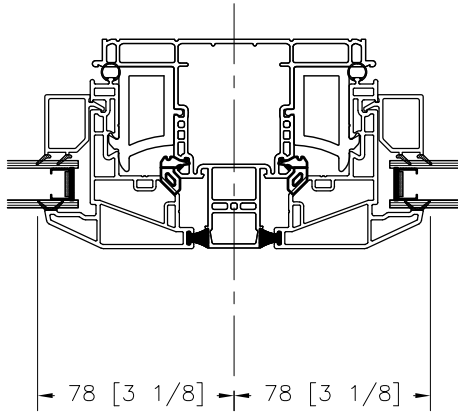


APEX

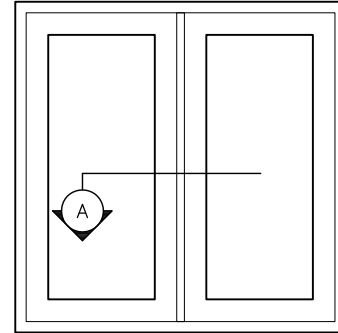
your ultimate window solution
with RENOLIT

9100 SERIES

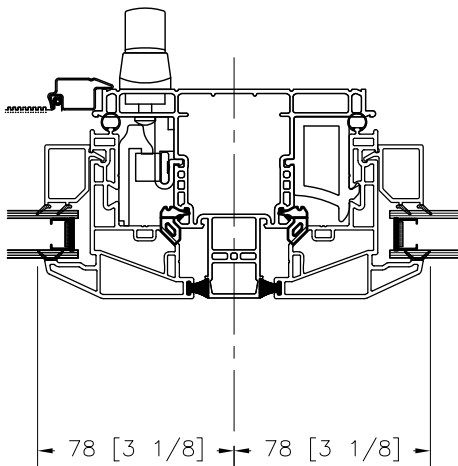
SECTION DETAILS
MULLIONS



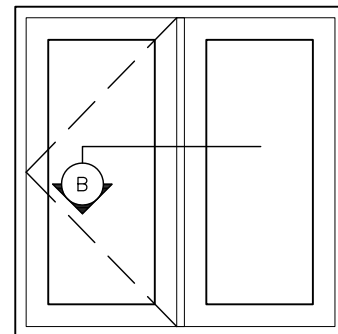
A. FIXED - FIXED
MULLION DETAIL



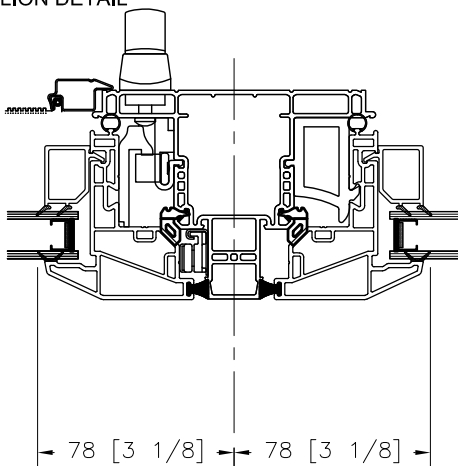
SAMPLE ELEVATION
EXTERIOR VIEW



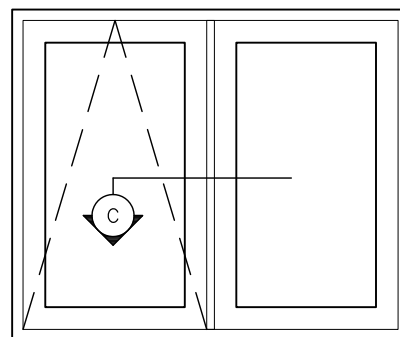
B. CASEMENT - FIXED
MULLION DETAIL



SAMPLE ELEVATION
EXTERIOR VIEW



C. AWNING - FIXED
MULLION DETAIL



SAMPLE ELEVATION
EXTERIOR VIEW

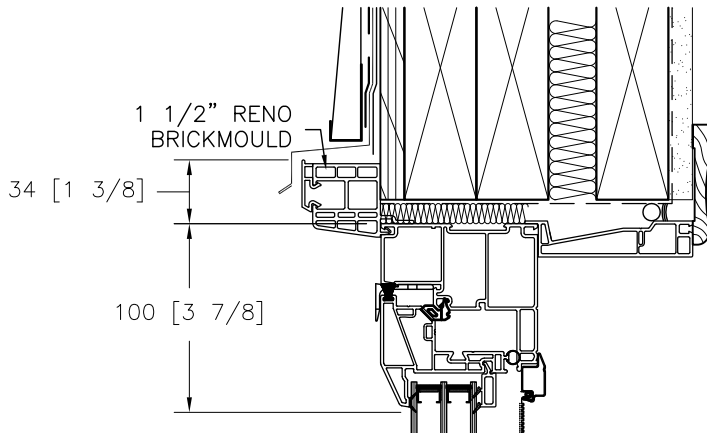


APEX

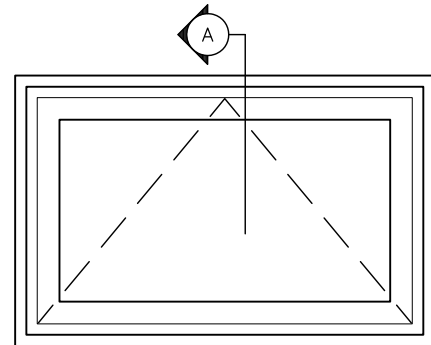
your ultimate window solution
with RENOLIT

9100 SERIES

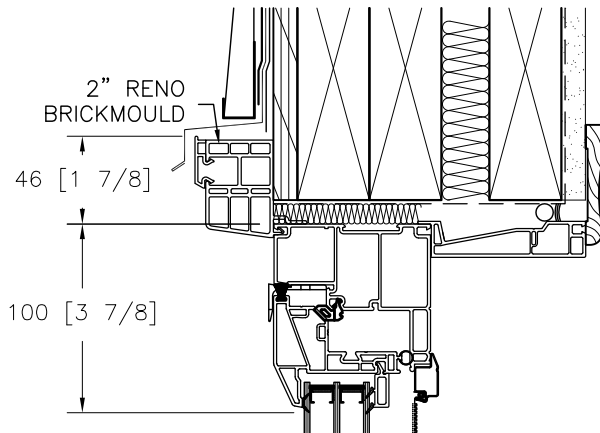
SECTION DETAILS
OPTIONS



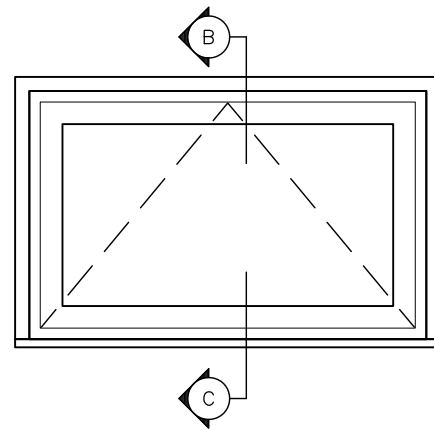
A - 1 1/2" RENO BRICKMOULD
OPTION:



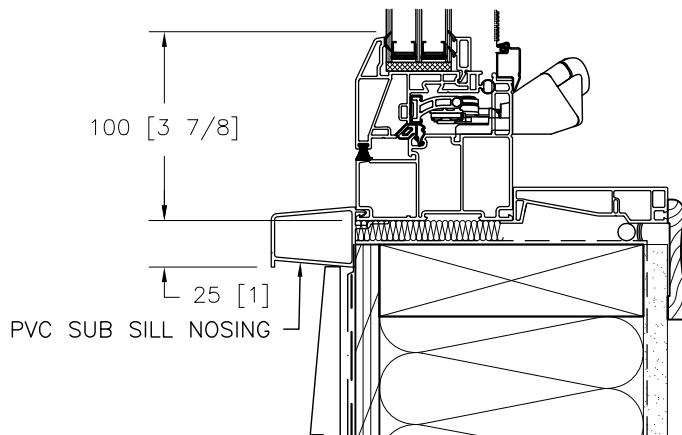
SAMPLE ELEVATION
EXTERIOR VIEW



B - 2" 'RENO' BRICKMOULD
OPTION:



SAMPLE ELEVATION
EXTERIOR VIEW



C - PVC SUBSILL NOSING
OPTION

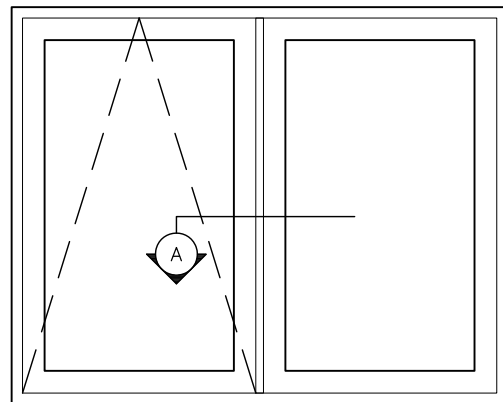
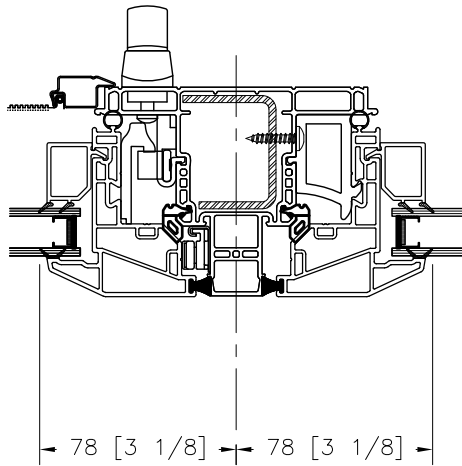


APEX

your ultimate window solution
with RENOLIT

9100 SERIES

SECTION DETAILS
REINFORCING



A. AWNING - FIXED
STEEL REINFORCED MULLION

SAMPLE ELEVATION
EXTERIOR VIEW

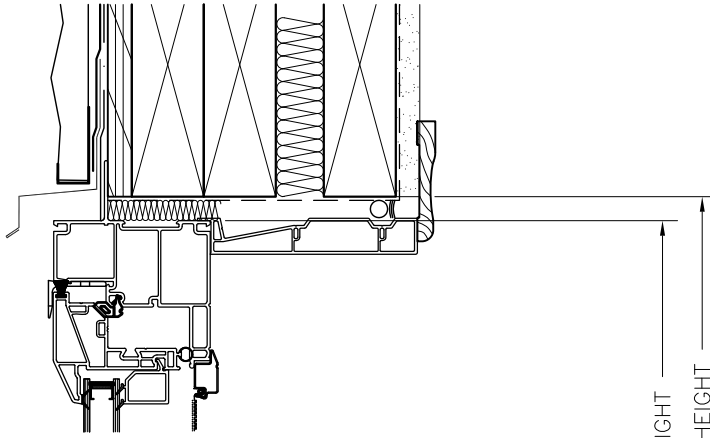


APEX

your ultimate window solution
with RENOLIT

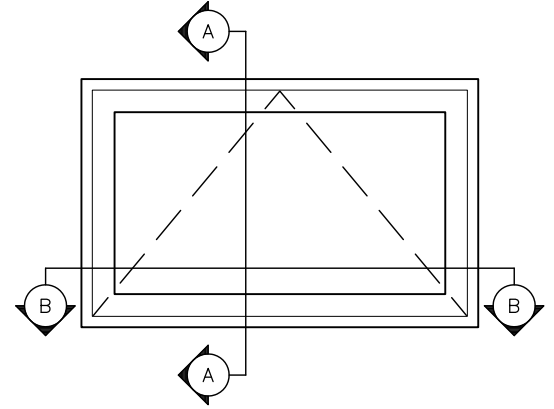
9100 SERIES

SECTION DETAILS
WALL DETAILS

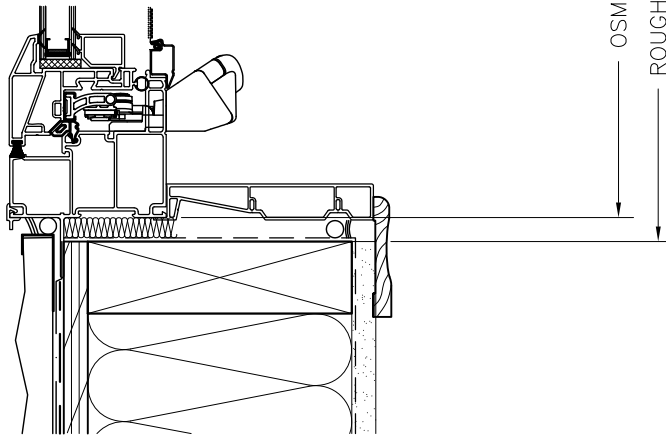


HEAD DETAIL
2x6 STUD WALL

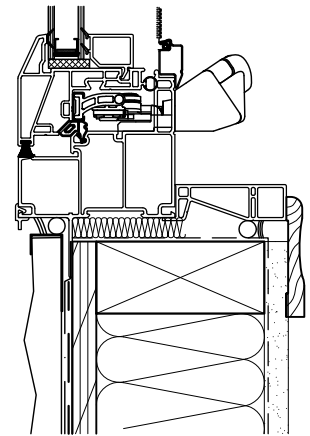
SECTION A - A



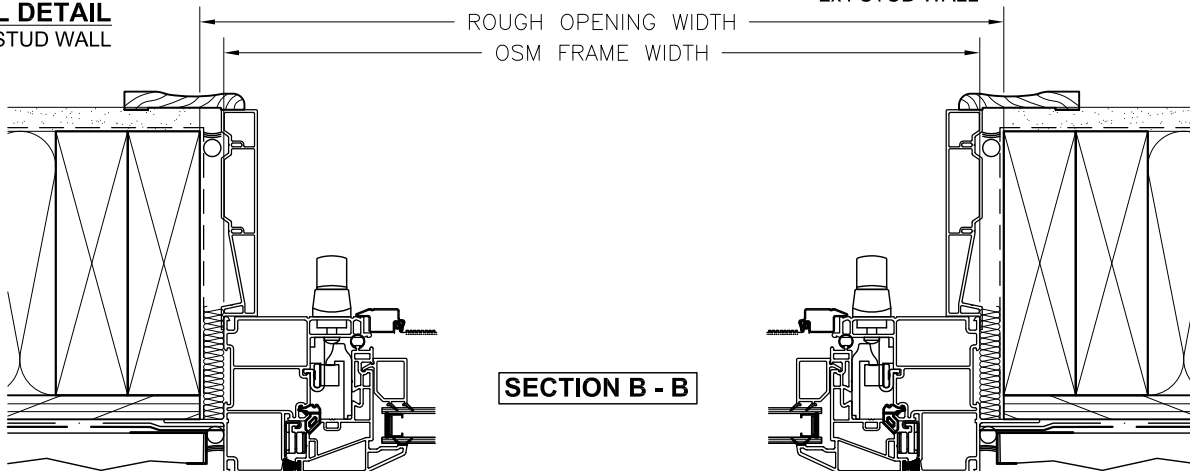
SAMPLE ELEVATION
EXTERIOR VIEW



SILL DETAIL
2x6 STUD WALL



SILL DETAIL
2x4 STUD WALL



SECTION B - B

JAMB DETAIL
2x6 STUD WALL