

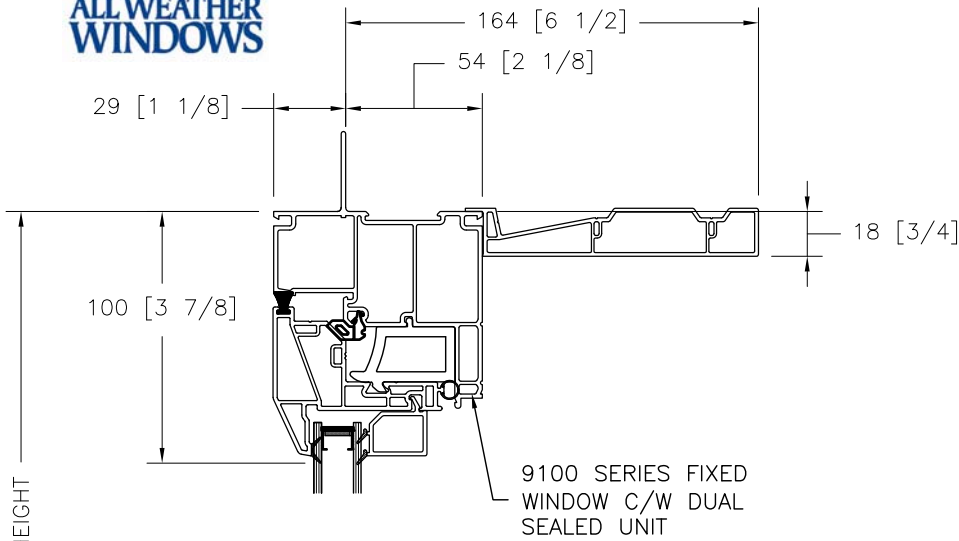


APEX

your ultimate window solution
with RENOLIT

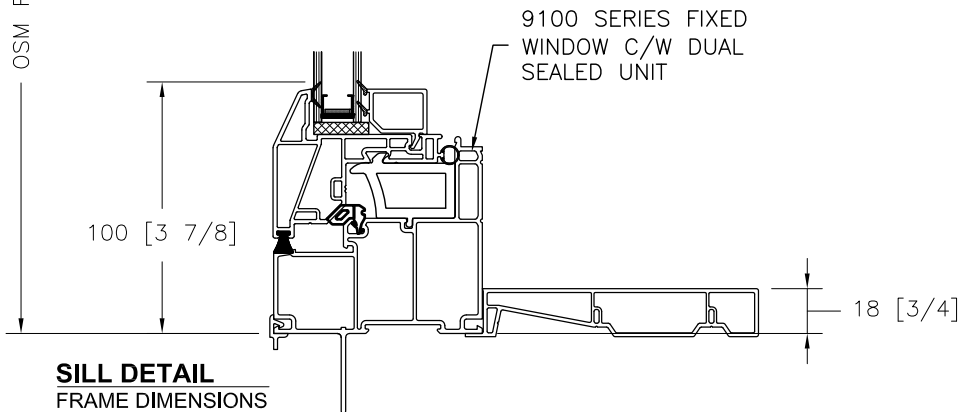
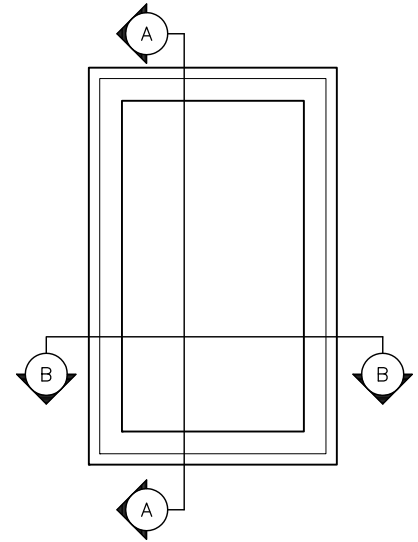
9100 SERIES

SECTION DETAILS
FIXED

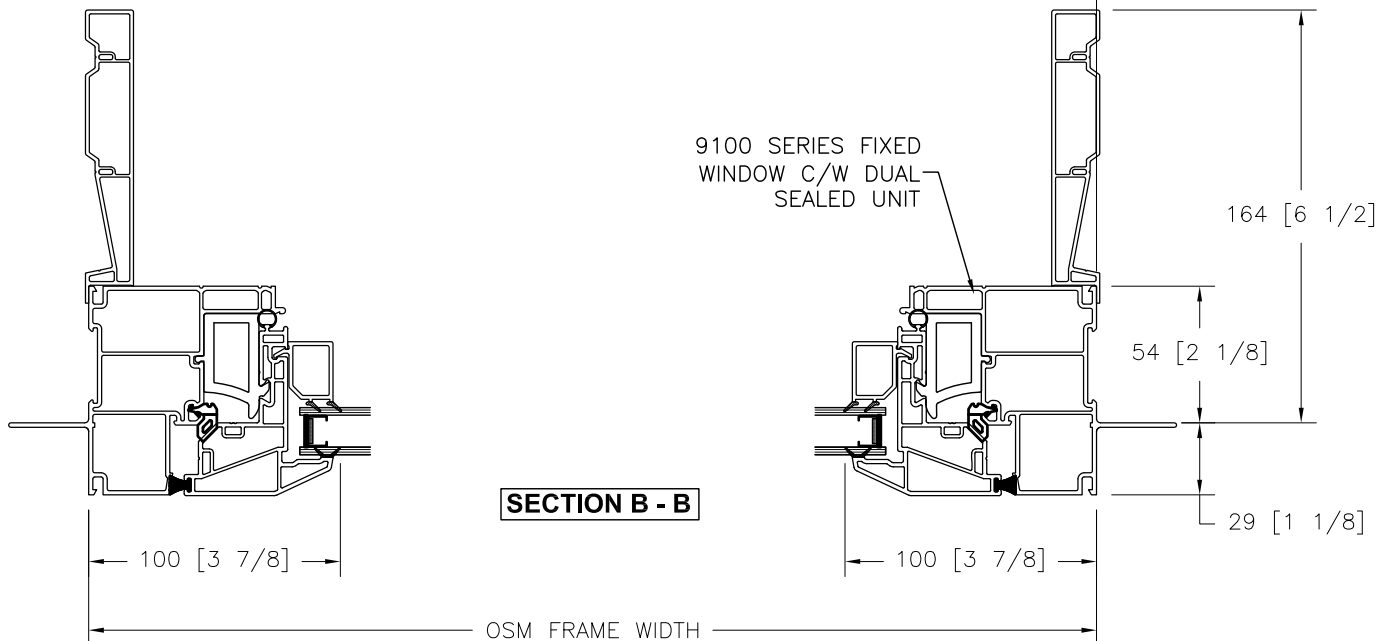


HEAD DETAIL
FRAME DIMENSIONS

SECTION A - A



SILL DETAIL
FRAME DIMENSIONS



JAMB DETAIL
FRAME DIMENSIONS

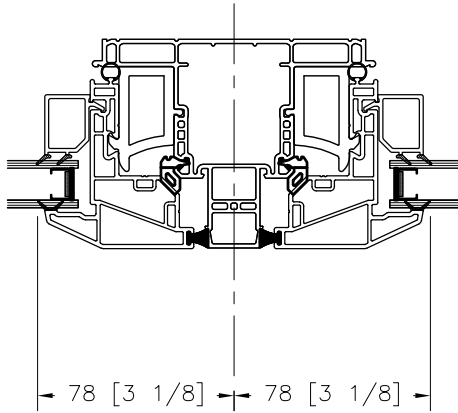


APEX

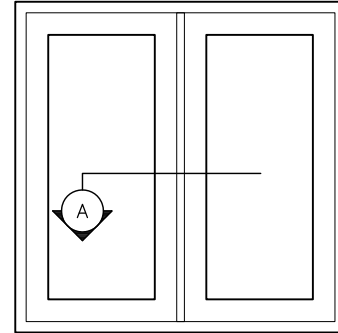
your ultimate window solution
with RENOLIT

9100 SERIES

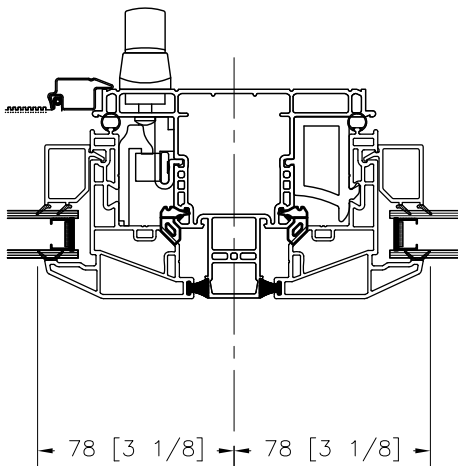
SECTION DETAILS
MULLIONS



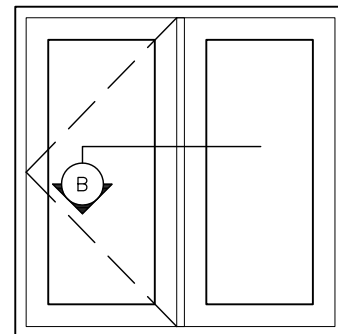
A. FIXED - FIXED
MULLION DETAIL



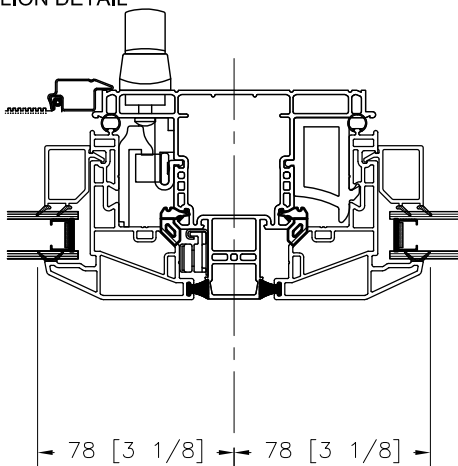
SAMPLE ELEVATION
EXTERIOR VIEW



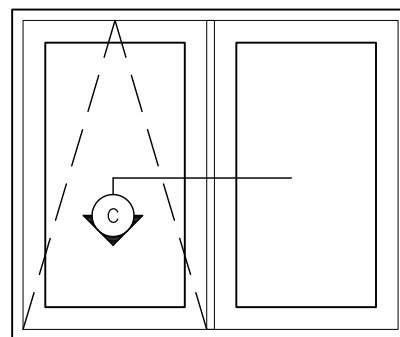
B. CASEMENT - FIXED
MULLION DETAIL



SAMPLE ELEVATION
EXTERIOR VIEW



C. AWNING - FIXED
MULLION DETAIL



SAMPLE ELEVATION
EXTERIOR VIEW

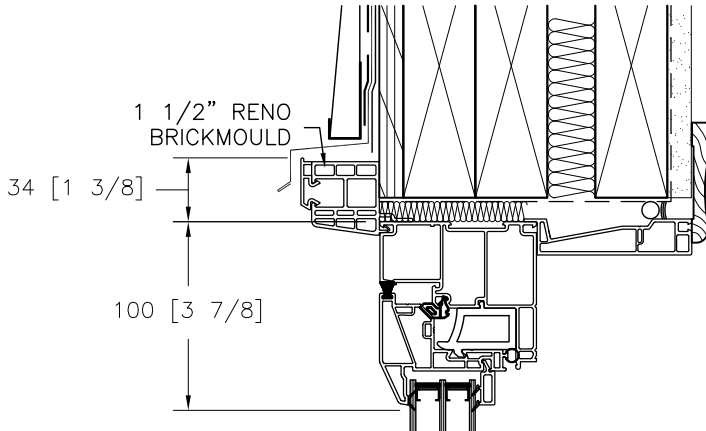


APEX

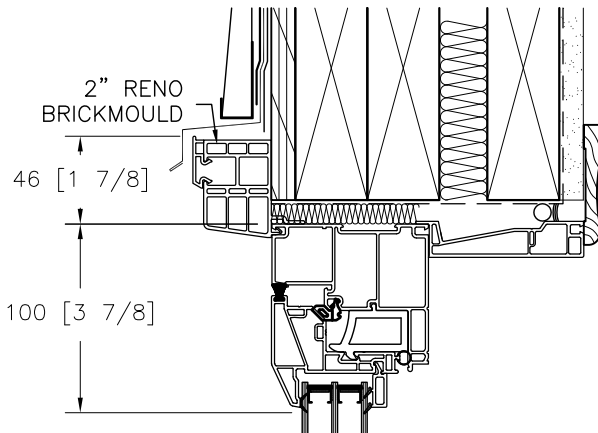
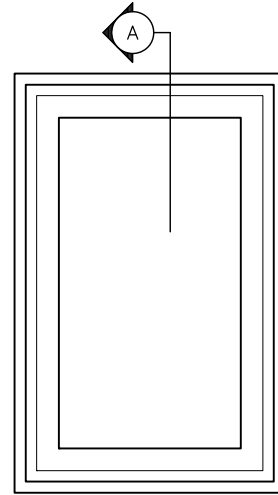
your ultimate window solution
with RENOLIT

9100 SERIES

SECTION DETAILS
OPTIONS

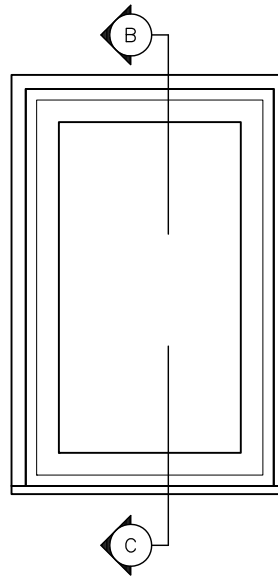


A - 1 1/2" RENO BRICKMOULD
OPTION:

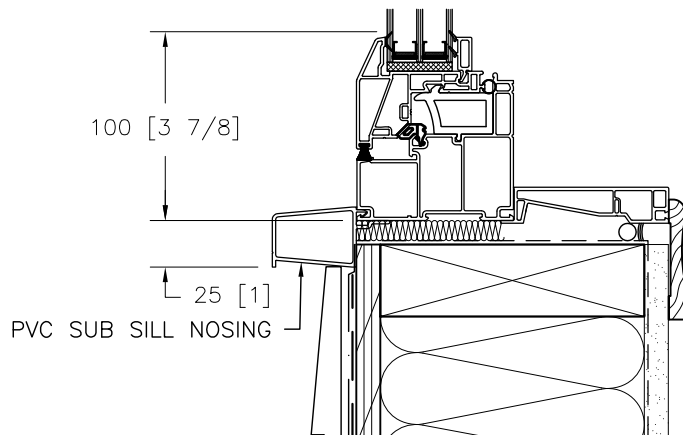


B - 2" 'RENO' BRICKMOULD
OPTION:

SAMPLE ELEVATION
EXTERIOR VIEW



SAMPLE ELEVATION
EXTERIOR VIEW



C - PVC SUBSILL NOSING
OPTION

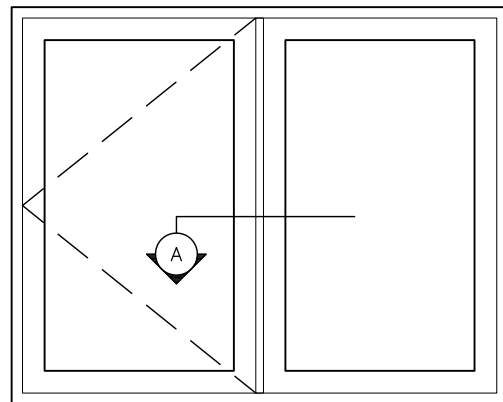
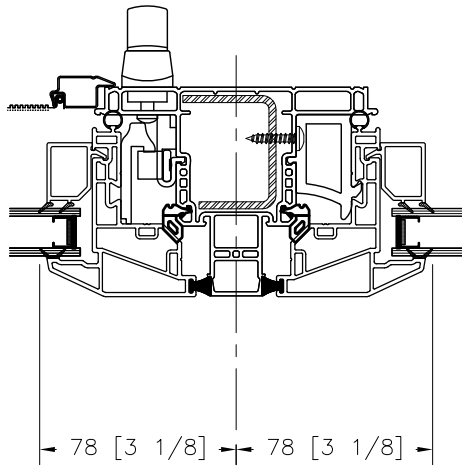


APEX

your ultimate window solution
with RENOLIT

9100 SERIES

SECTION DETAILS
REINFORCING



A. CASEMENT - FIXED
STEEL REINFORCED MULLION

SAMPLE ELEVATION
EXTERIOR VIEW

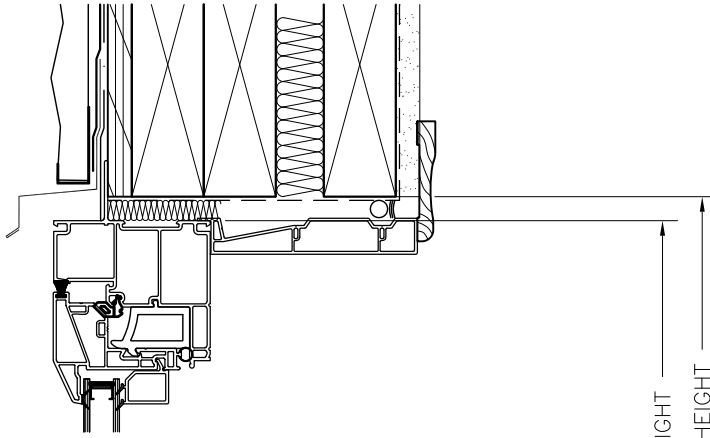


APEX

your ultimate window solution
with RENOLIT

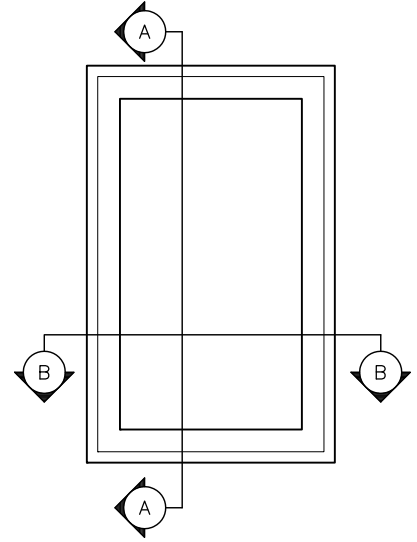
9100 SERIES

SECTION DETAILS
WALL DETAILS



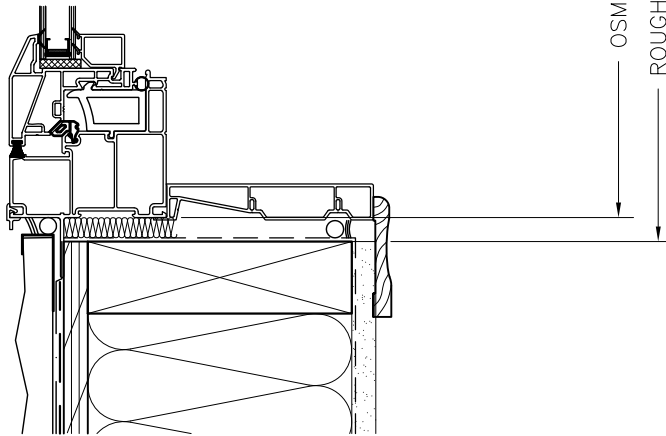
HEAD DETAIL
2x6 STUD WALL

SECTION A - A



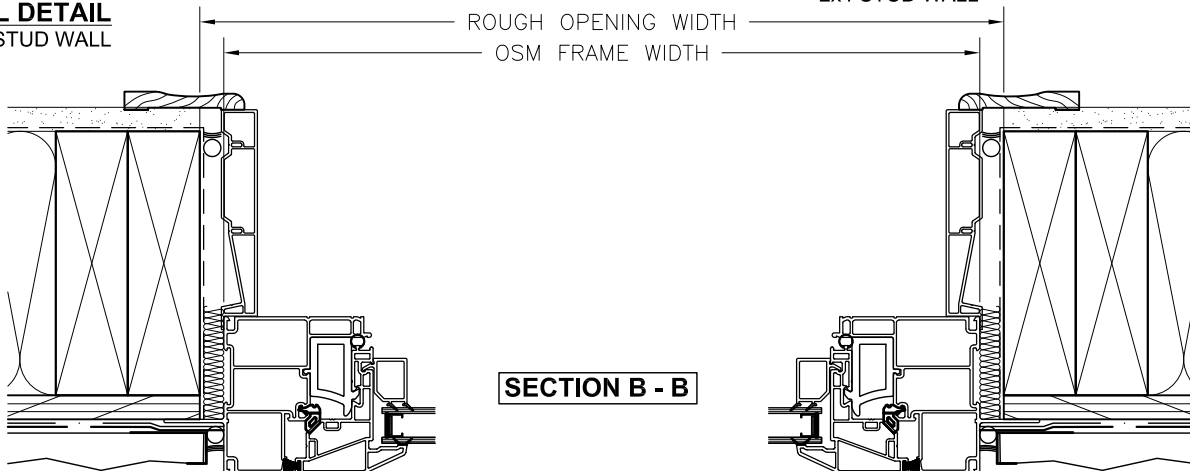
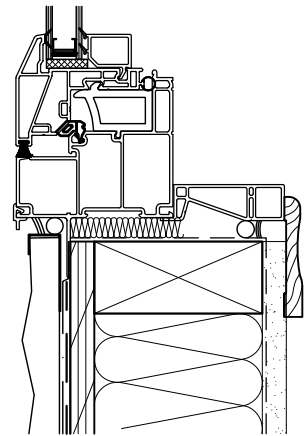
SAMPLE ELEVATION
EXTERIOR VIEW

OSM FRAME HEIGHT
ROUGH OPENING HEIGHT



SILL DETAIL
2x6 STUD WALL

SILL DETAIL
2x4 STUD WALL



SECTION B - B

JAMB DETAIL
2x6 STUD WALL