



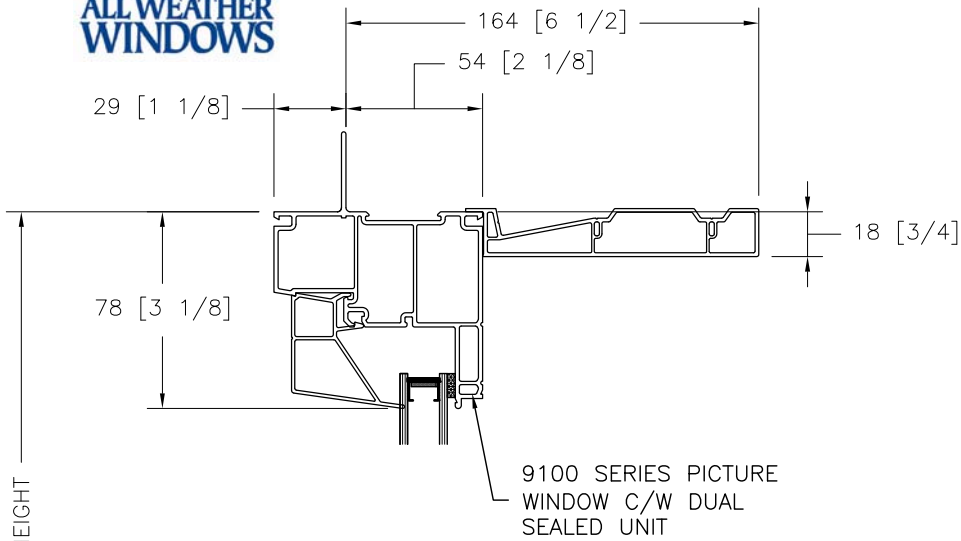
**ALL WEATHER
WINDOWS**

APEX

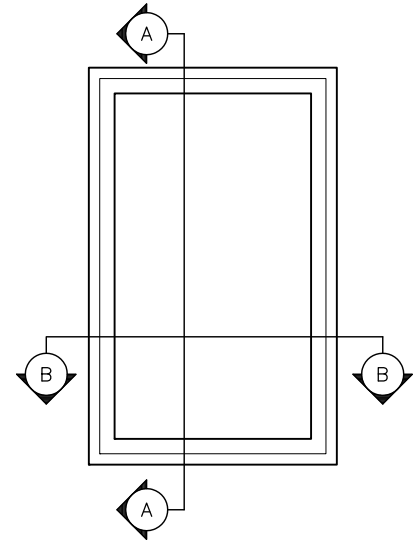
your ultimate window solution
with RENOLIT

9100 SERIES

SECTION DETAILS
PICTURE

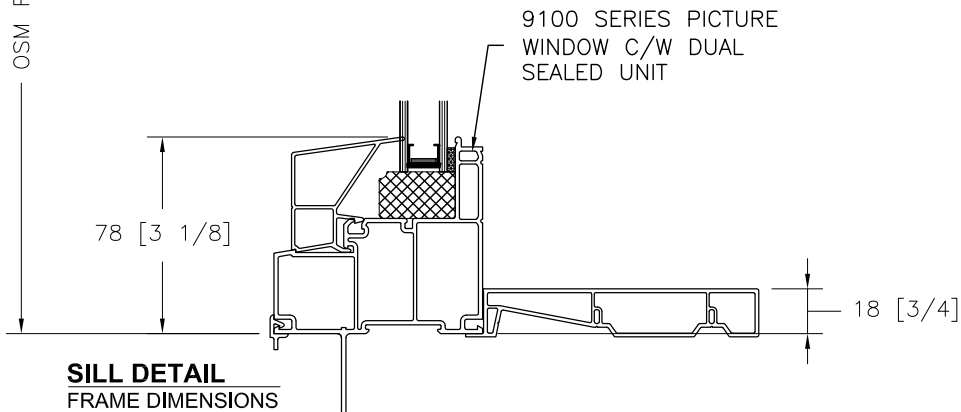


HEAD DETAIL
FRAME DIMENSIONS

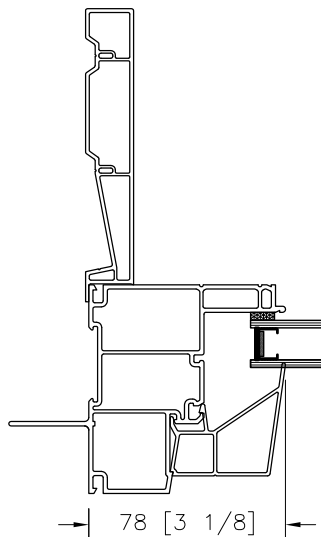


SAMPLE ELEVATION
EXTERIOR VIEW

SECTION A - A

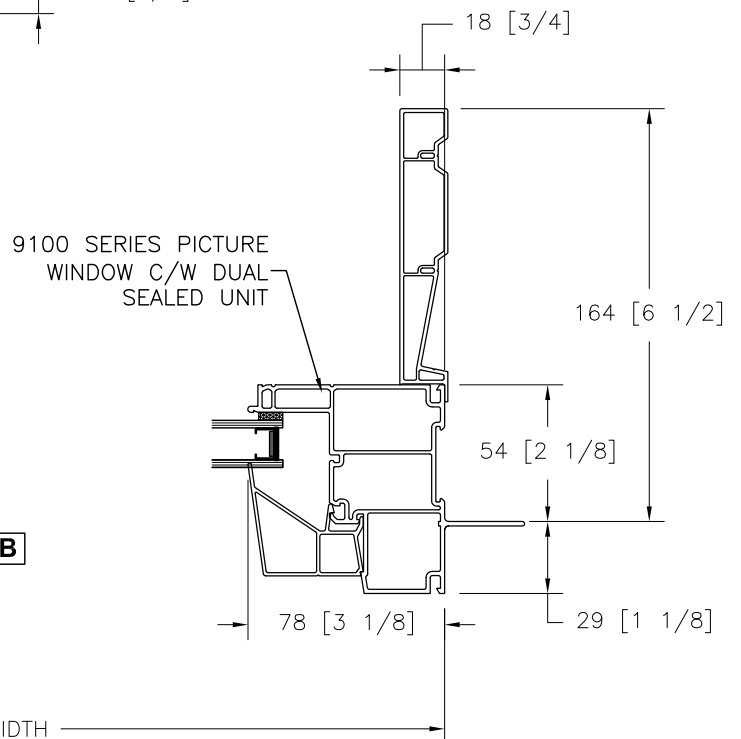


SILL DETAIL
FRAME DIMENSIONS



JAMB DETAIL
FRAME DIMENSIONS

SECTION B - B



OSM FRAME WIDTH

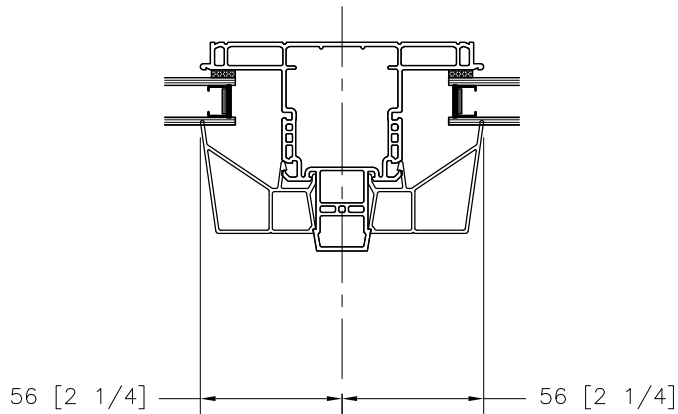


APEX

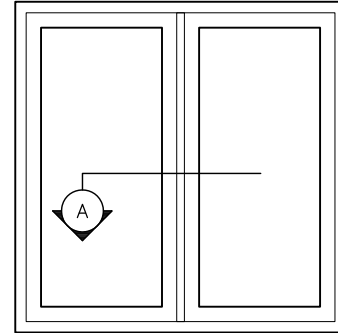
your ultimate window solution
with RENOLIT

9100 SERIES

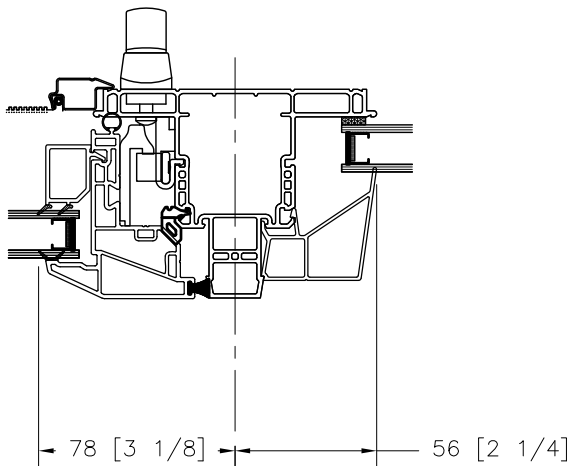
SECTION DETAILS
MULLIONS



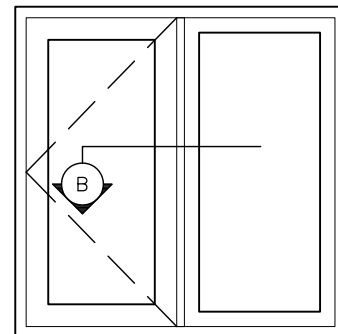
A. PICTURE - PICTURE
MULLION DETAIL



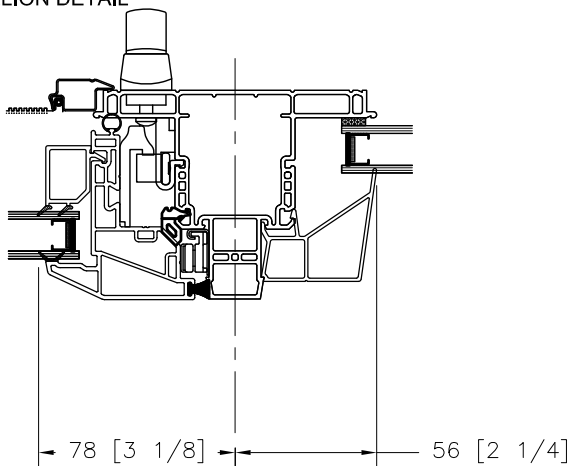
SAMPLE ELEVATION
EXTERIOR VIEW



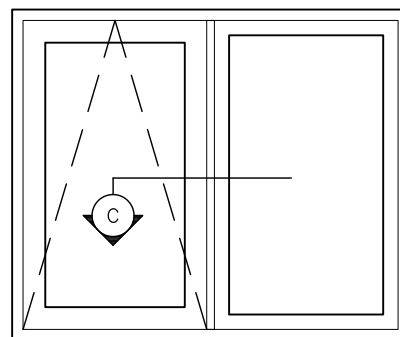
B. CASEMENT - PICTURE
MULLION DETAIL



SAMPLE ELEVATION
EXTERIOR VIEW



C. AWNING - PICTURE
MULLION DETAIL



SAMPLE ELEVATION
EXTERIOR VIEW

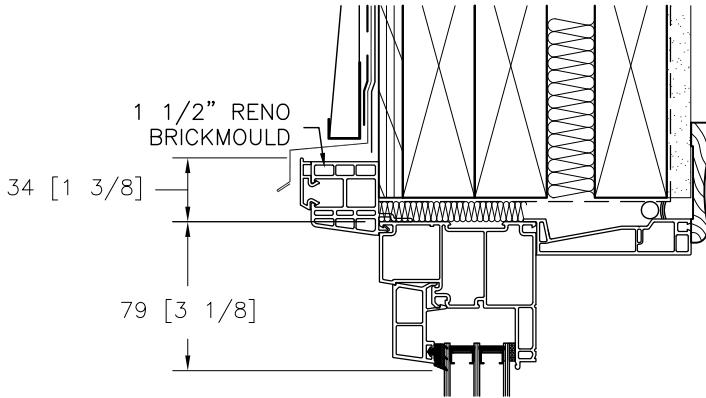


APEX

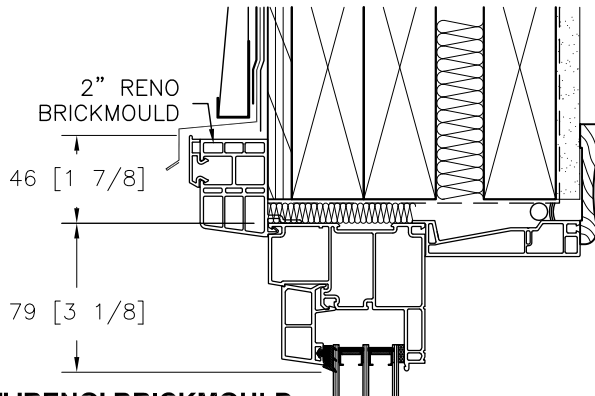
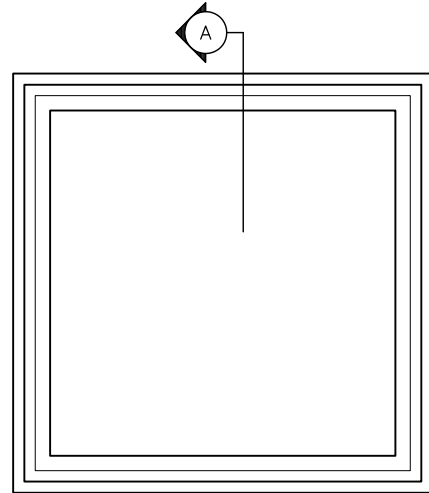
your ultimate window solution
with RENOLIT

9100 SERIES

SECTION DETAILS
OPTIONS

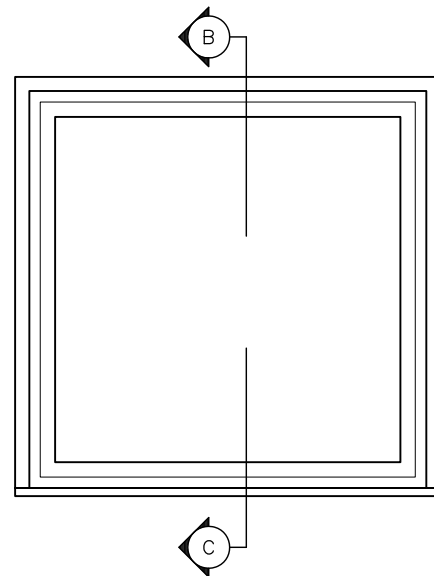


A - 1 1/2" RENO BRICKMOULD
OPTION:

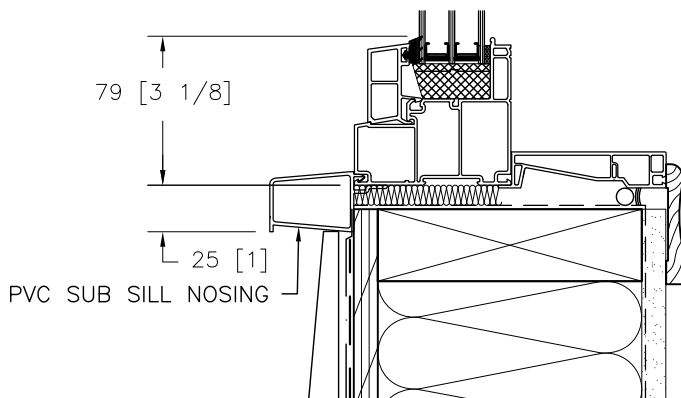


B - 2" 'RENO' BRICKMOULD
OPTION:

SAMPLE ELEVATION
EXTERIOR VIEW



SAMPLE ELEVATION
EXTERIOR VIEW



C - PVC SUBSILL NOSING
OPTION

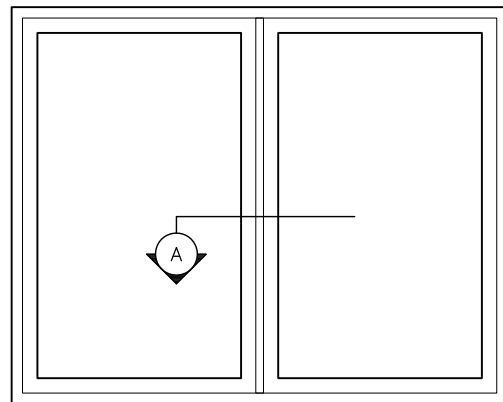
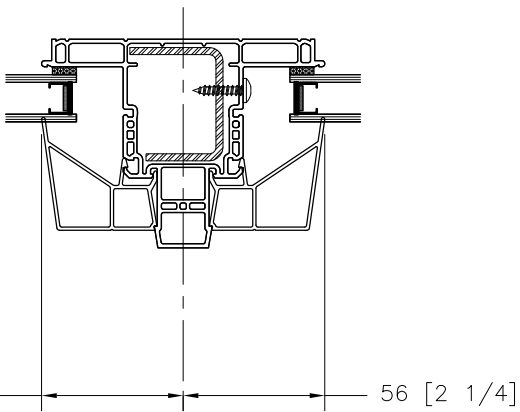


APEX

your ultimate window solution
with RENOLIT

9100 SERIES

SECTION DETAILS
REINFORCING



A. PICTURE - PICTURE
STEEL REINFORCED MULLION

SAMPLE ELEVATION
EXTERIOR VIEW

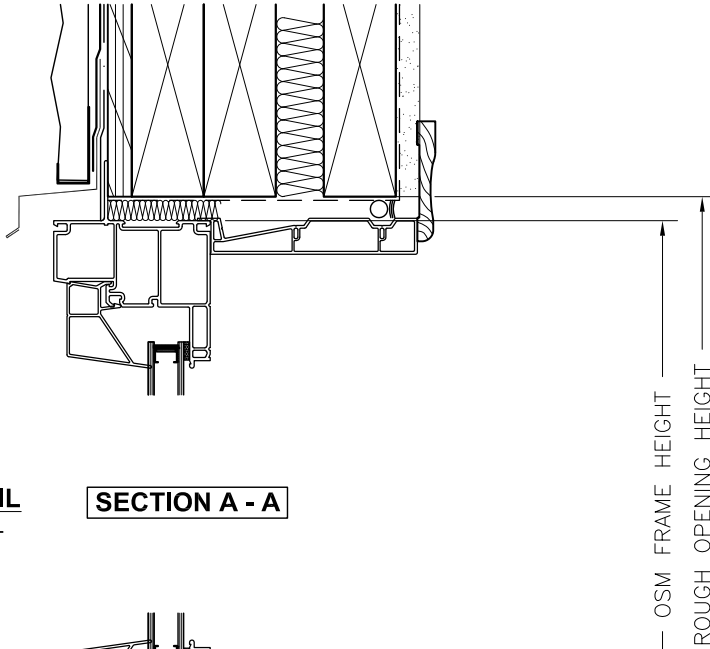


APEX

your ultimate window solution
with RENOLIT

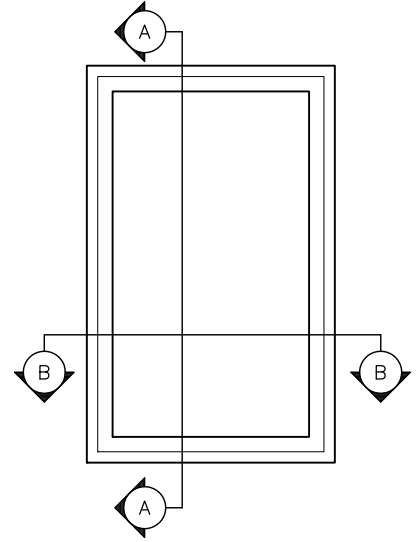
9100 SERIES

SECTION DETAILS
WALL DETAILS

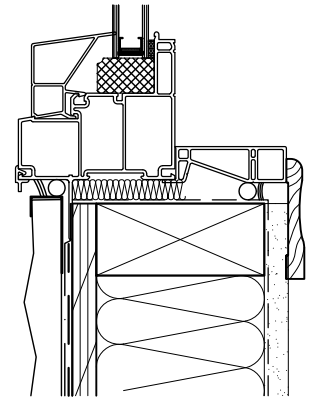
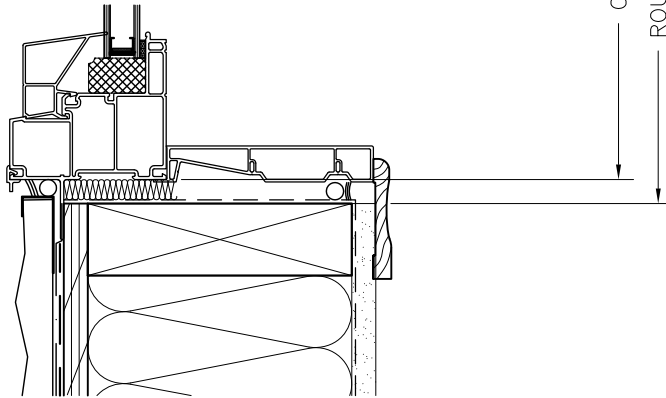


HEAD DETAIL
2x6 STUD WALL

SECTION A - A

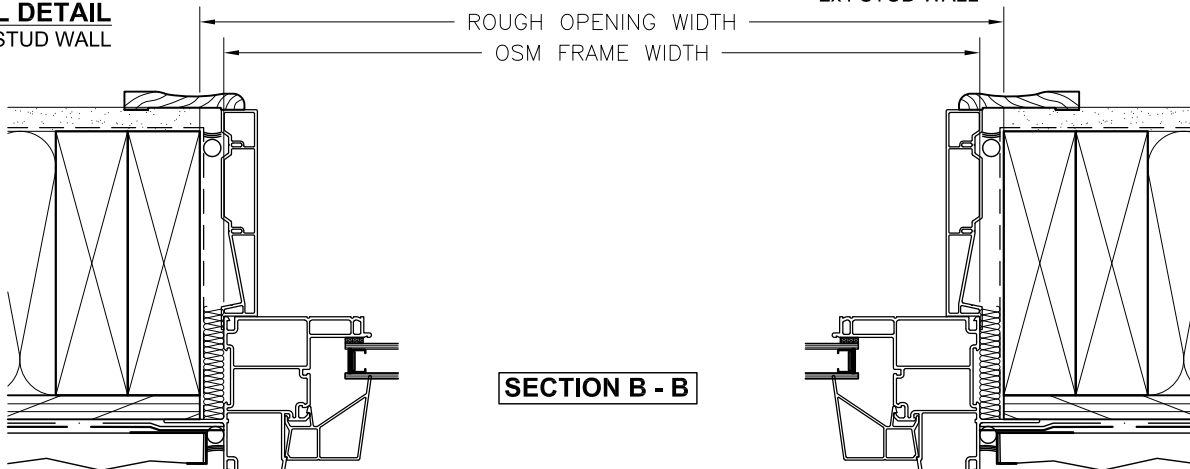


SAMPLE ELEVATION
EXTERIOR VIEW



SILL DETAIL
2x6 STUD WALL

SILL DETAIL
2x4 STUD WALL



SECTION B - B

JAMB DETAIL
2x6 STUD WALL