

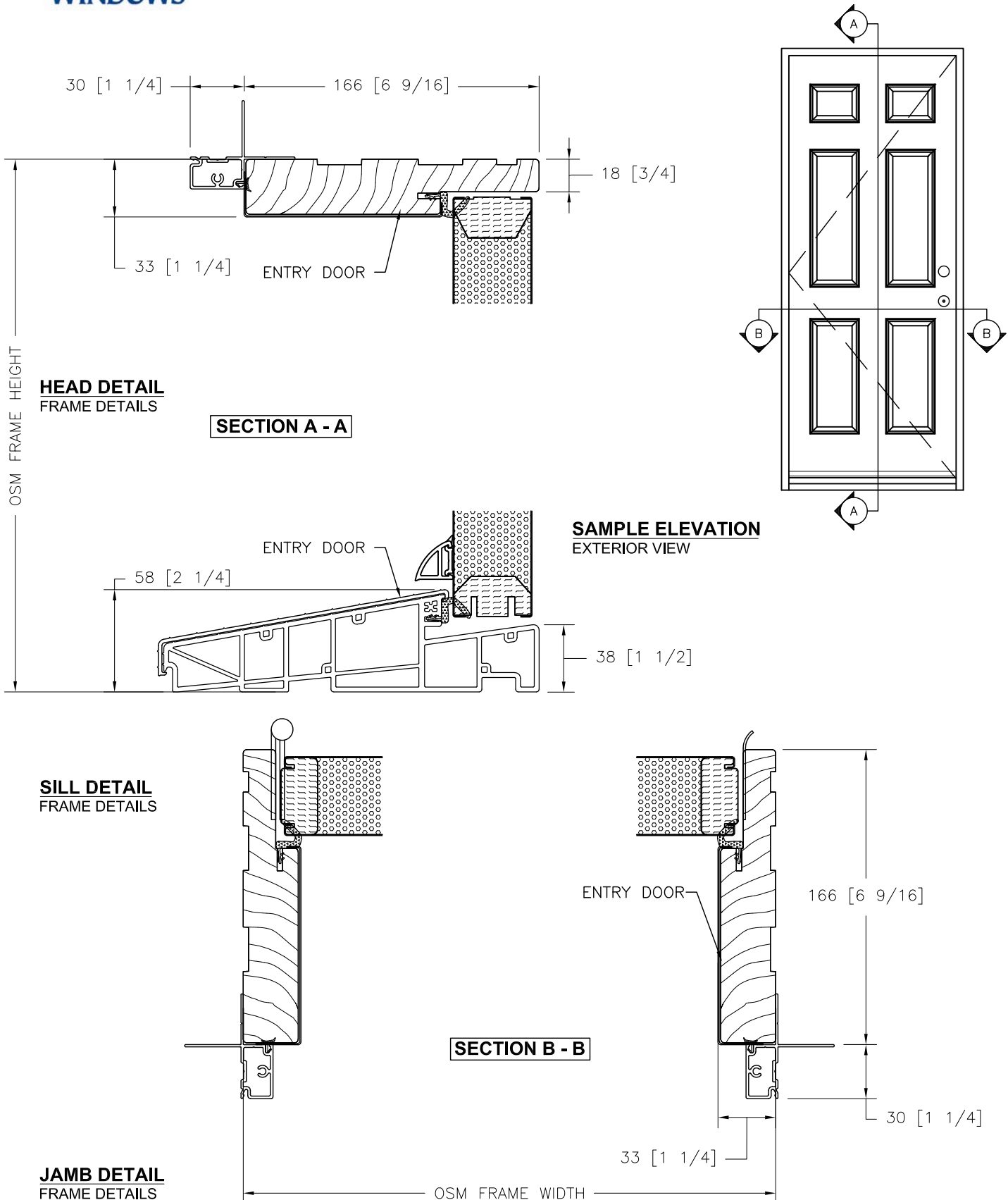


ENTRY DOOR

STEEL & FIBREGLASS DOOR SYSTEM

ENTRY DOORS

SECTION DETAILS INSWING



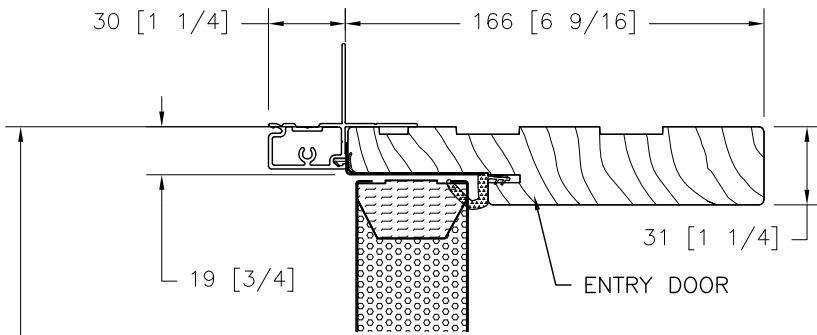


ENTRY DOOR

STEEL & FIBREGLASS DOOR SYSTEM

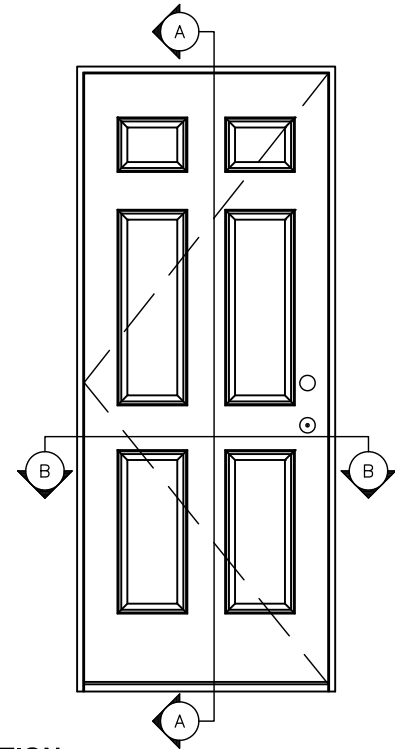
ENTRY DOORS

SECTION DETAILS OUTSWING

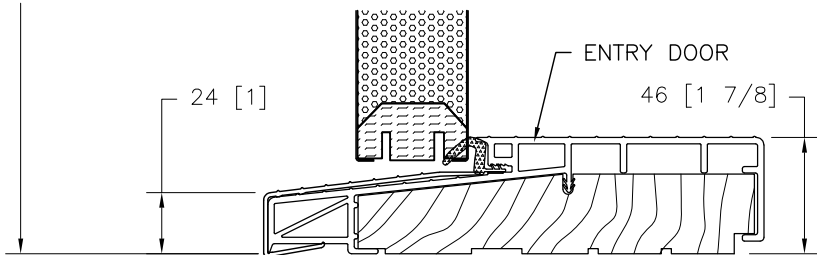


HEAD DETAIL
2x6 STUD WALL

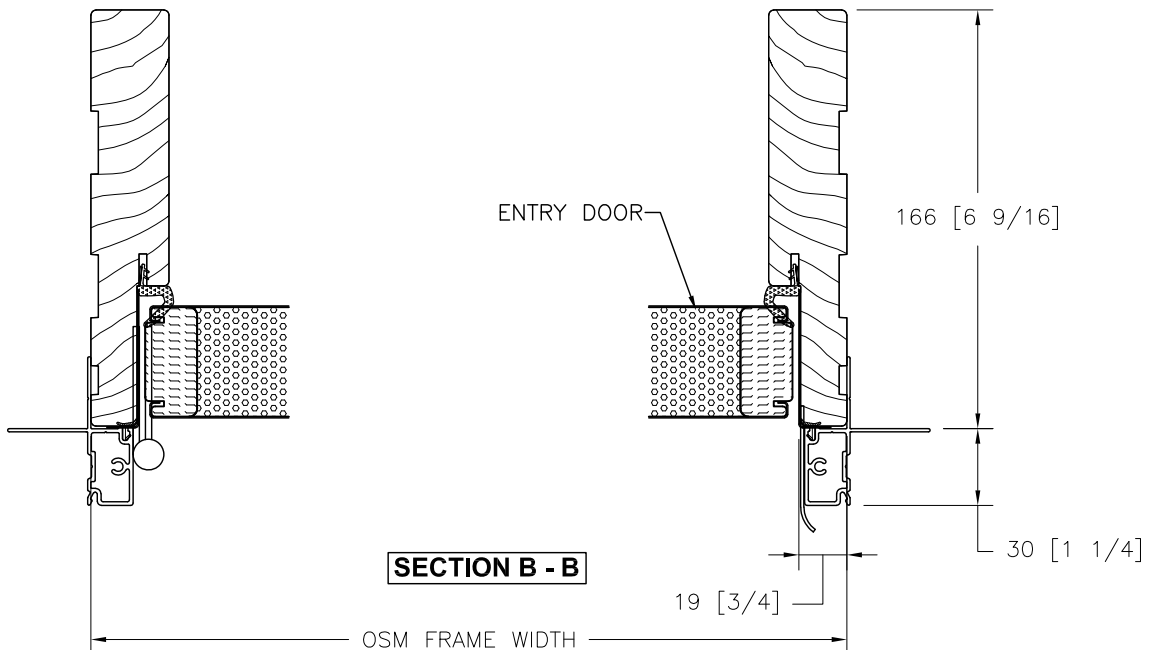
SECTION A - A



SAMPLE ELEVATION
EXTERIOR VIEW



SILL DETAIL
2x6 STUD WALL



SECTION B - B

JAMB DETAIL
2x6 STUD WALL



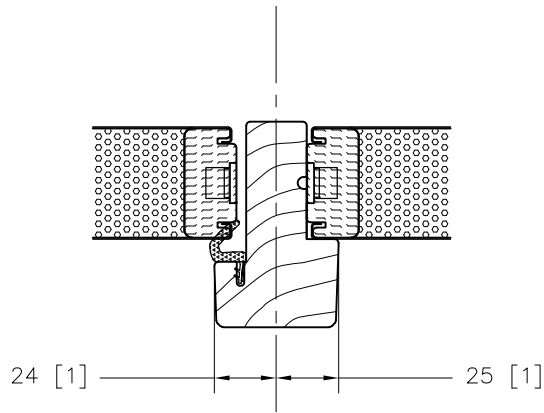
ENTRY DOOR

STEEL & FIBREGLASS DOOR SYSTEM

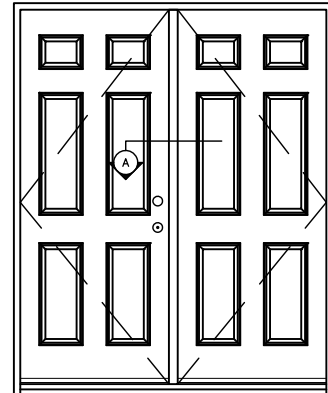
ENTRY DOORS

SECTION DETAILS

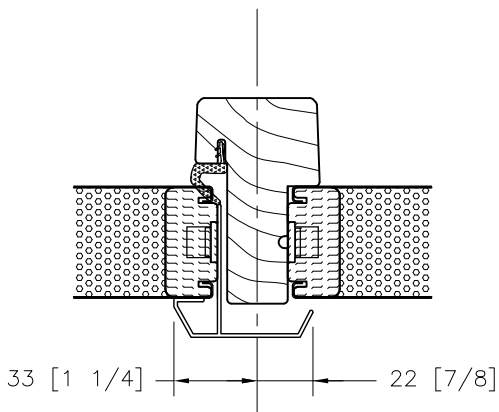
MULLIONS



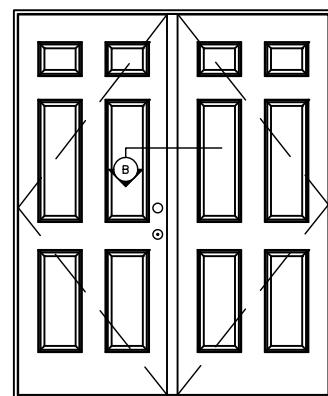
A - DOUBLE DOOR - INSWING
MULLION DETAIL



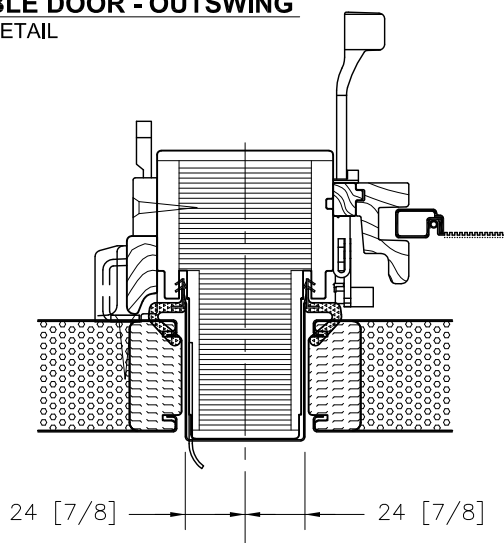
SAMPLE ELEVATION
EXTERIOR VIEW



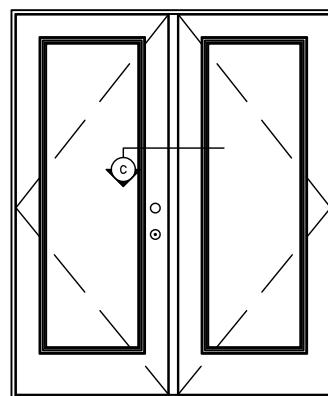
B - DOUBLE DOOR - OUTSWING
MULLION DETAIL



SAMPLE ELEVATION
EXTERIOR VIEW



C - GARDEN DOOR
MULLION DETAIL



SAMPLE ELEVATION
EXTERIOR VIEW



ENTRY DOOR

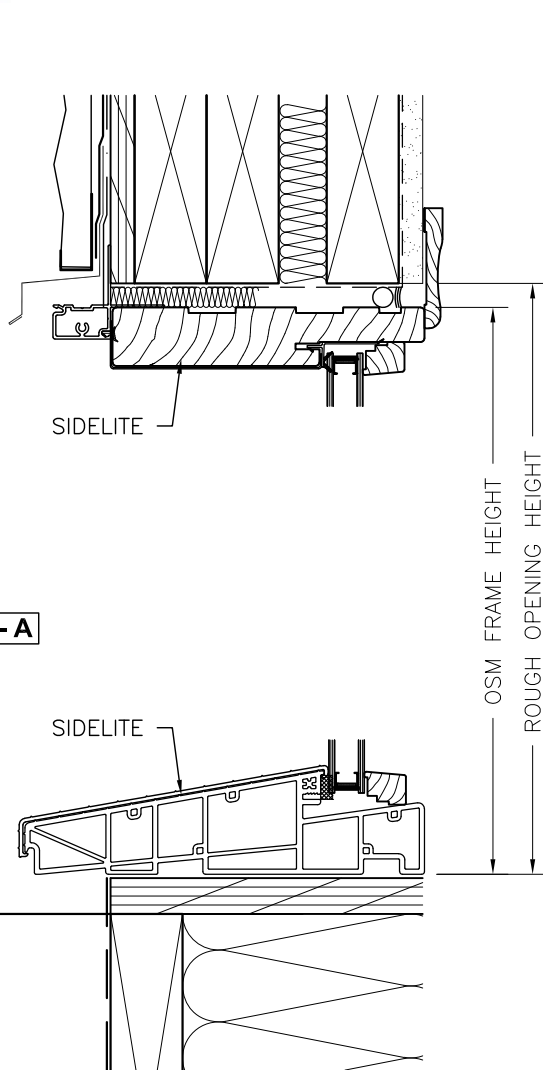
STEEL & FIBREGLASS DOOR SYSTEM

ENTRY DOORS

SECTION DETAILS

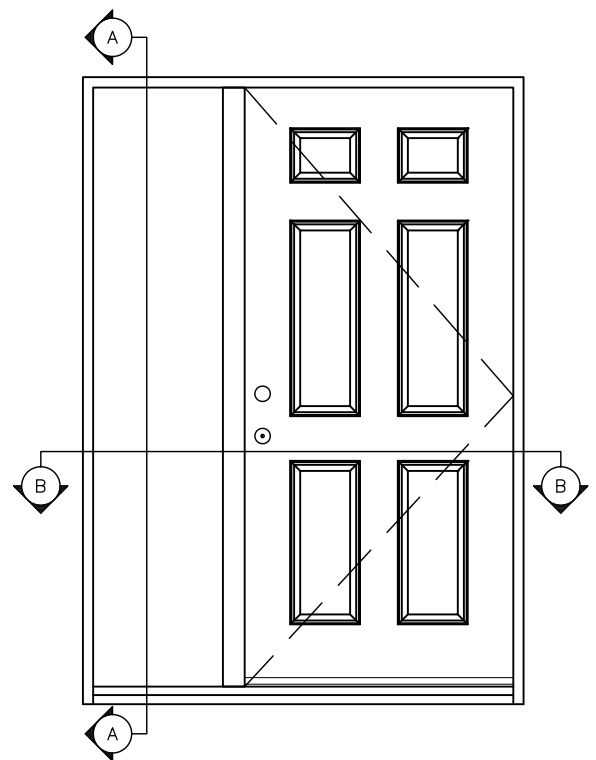
INSWING DOOR

WITH SIDELITE



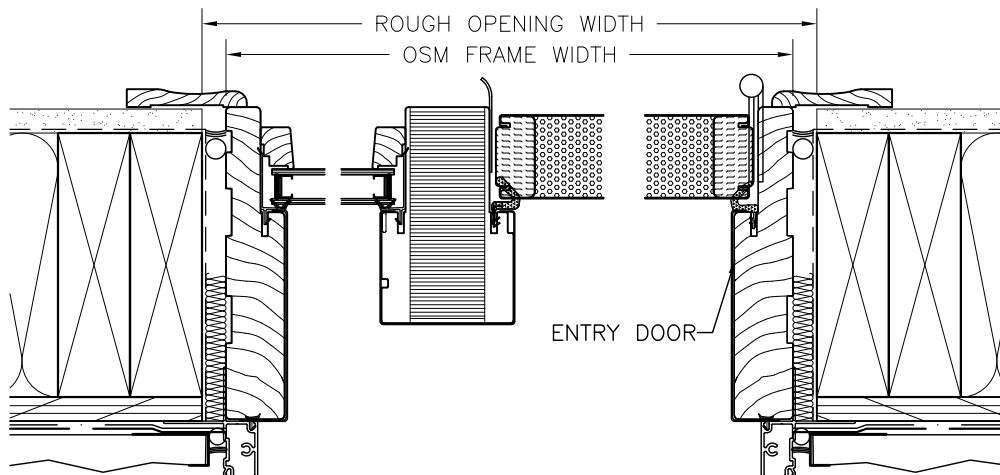
HEAD DETAIL
2x6 STUD WALL

SECTION A - A



SAMPLE ELEVATION
EXTERIOR VIEW

SILL DETAIL
2x6 STUD WALL



JAMB DETAIL
2x6 STUD WALL

SECTION B - B



ENTRY DOOR

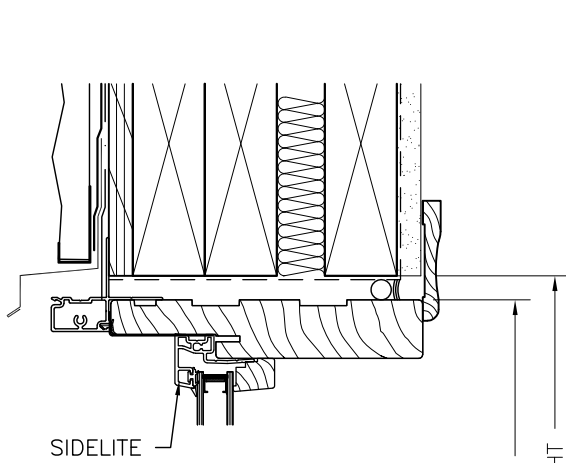
STEEL & FIBREGLASS DOOR SYSTEM

ENTRY DOORS

SECTION DETAILS

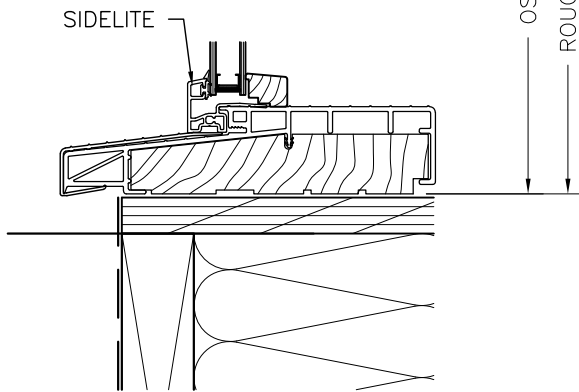
OUTSWING DOOR

WITH SIDELITE

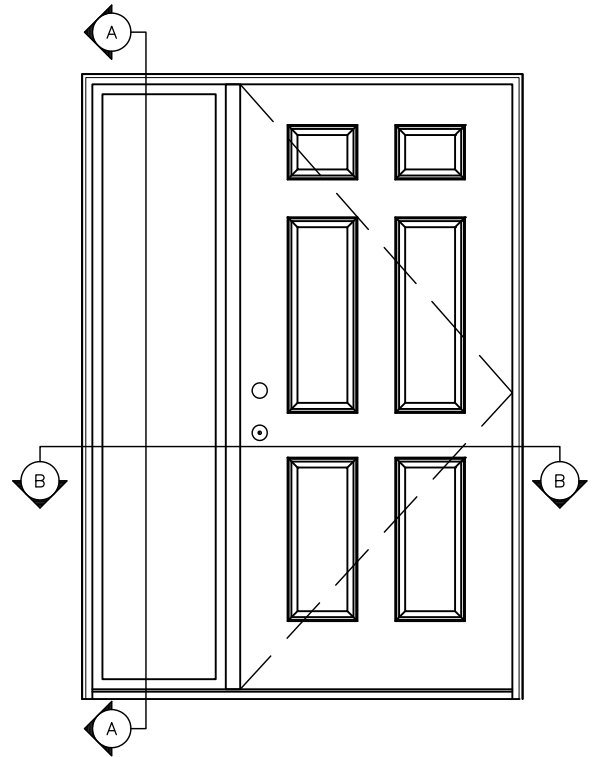


HEAD DETAIL
2x6 STUD WALL

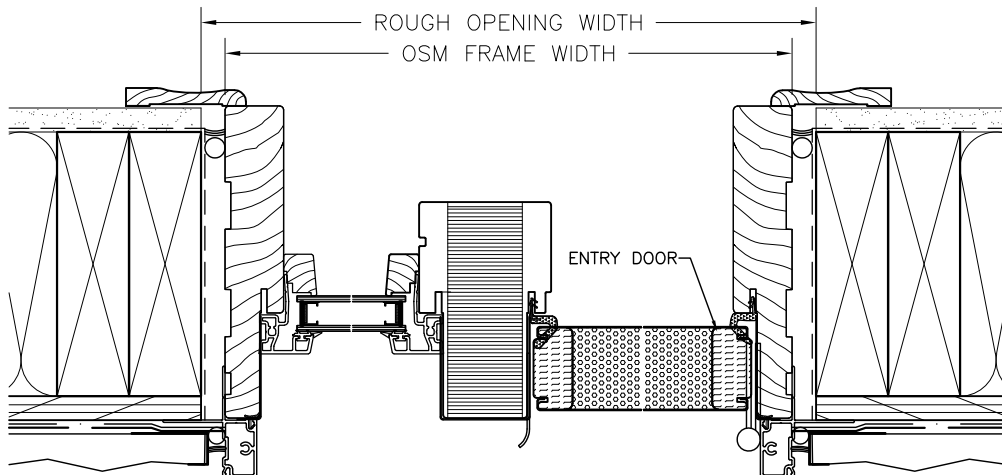
SECTION A - A



SILL DETAIL
2x6 STUD WALL



SAMPLE ELEVATION
EXTERIOR VIEW



JAMB DETAIL
2x6 STUD WALL

SECTION B - B

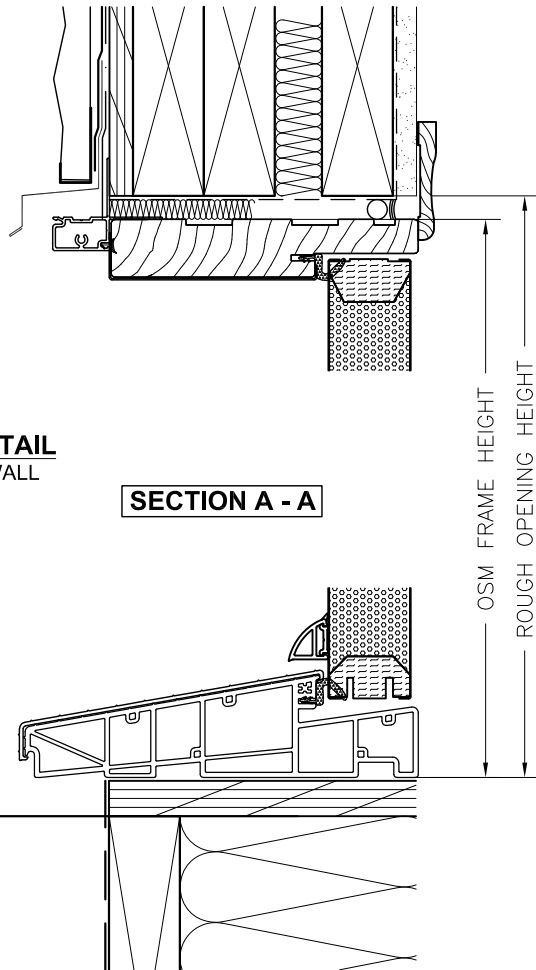


ENTRY DOOR

STEEL & FIBREGLASS DOOR SYSTEM

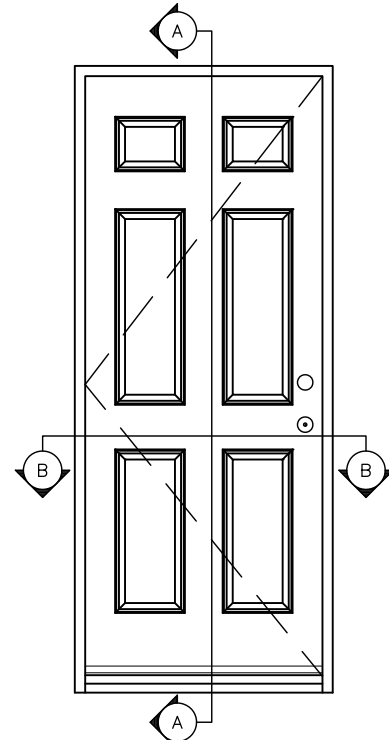
ENTRY DOORS

SECTION DETAILS WALL DETAILS

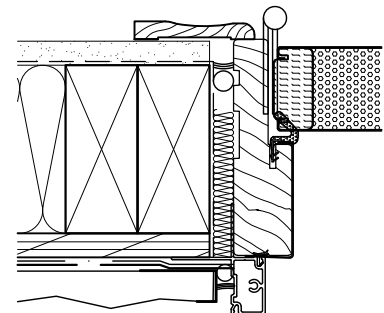


HEAD DETAIL
2x6 STUD WALL

SECTION A - A

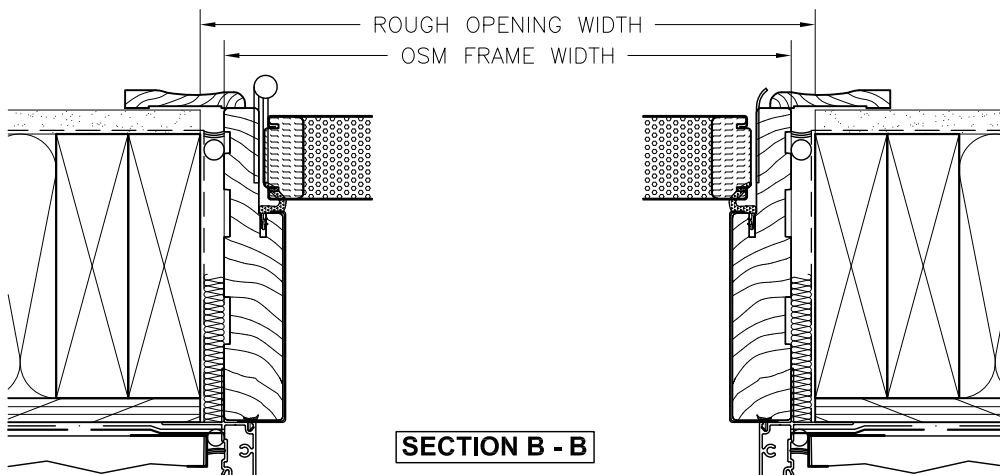


SAMPLE ELEVATION
EXTERIOR VIEW



SILL DETAIL
2x4 STUD WALL

SILL DETAIL
2x6 STUD WALL



SECTION B - B

JAMB DETAIL
2x6 STUD WALL