

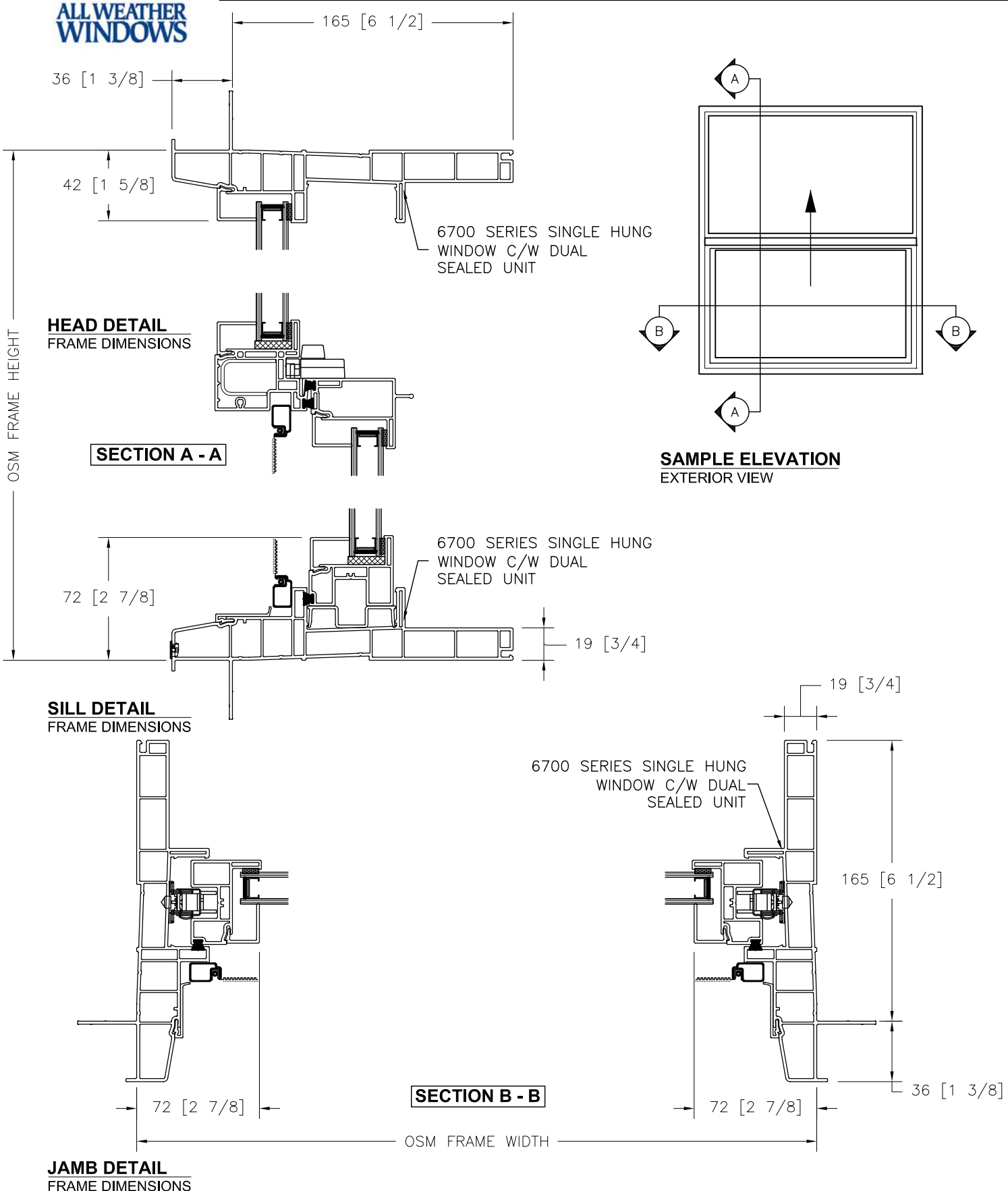


# ALPINE

## ULTIMATE PVC GLIDER WINDOWS

# 6700 SERIES

## SECTION DETAILS SINGLE HUNG



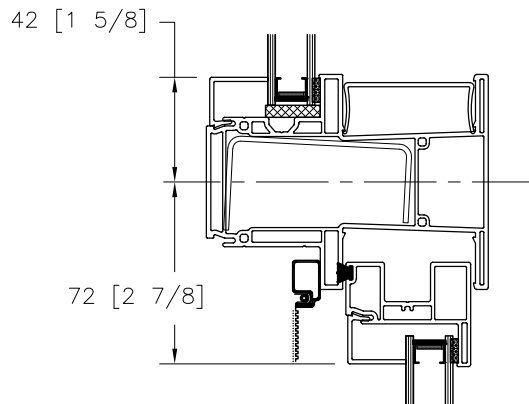
**JAMB DETAIL**  
FRAME DIMENSIONS



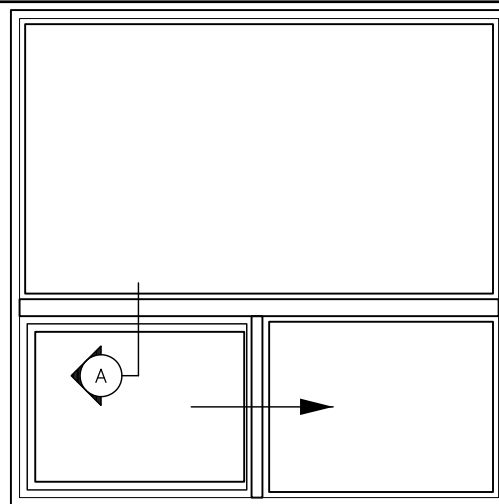
# ALPINE

## ULTIMATE PVC GLIDER WINDOWS

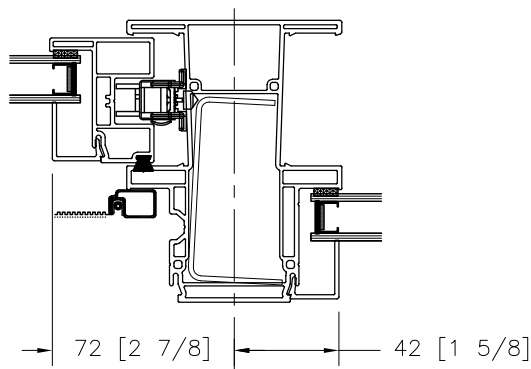
**6700 SERIES**  
SECTION DETAILS  
MULLIONS



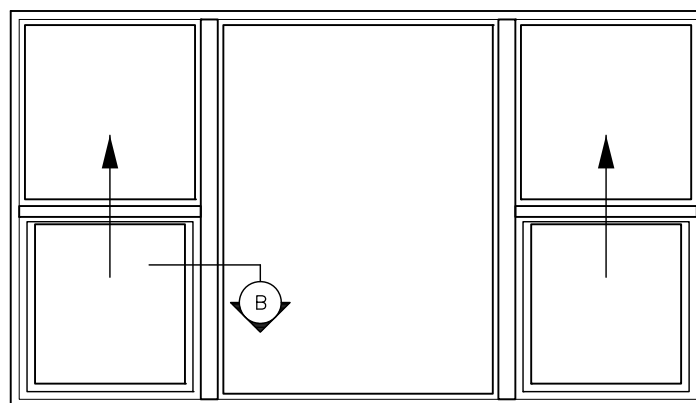
**A. PICTURE / GLIDER**  
MULLION DETAIL C/W STEEL REINFORCING



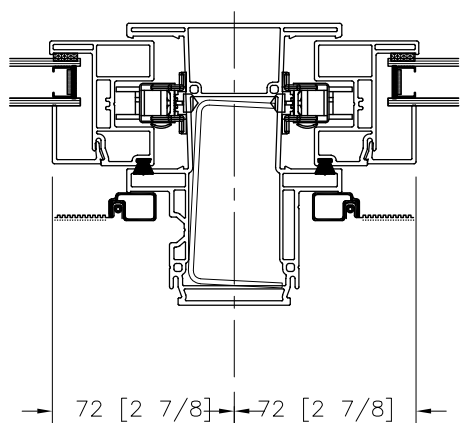
**SAMPLE ELEVATION**  
EXTERIOR VIEW



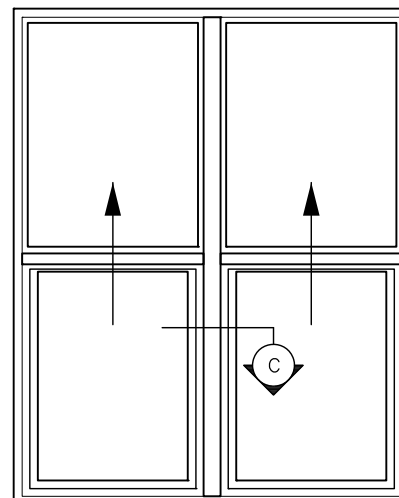
**B. SINGLE HUNG - PICTURE**  
MULLION DETAIL



**SAMPLE ELEVATION**  
EXTERIOR VIEW



**C. SINGLE HUNG - SINGLE HUNG**  
MULLION DETAIL



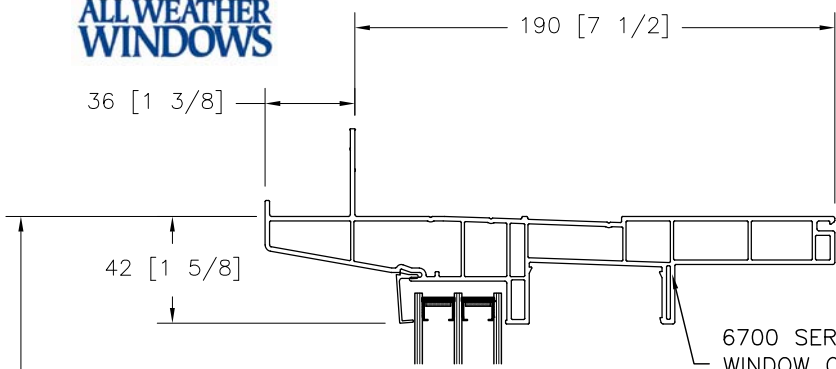
**SAMPLE ELEVATION**  
EXTERIOR VIEW



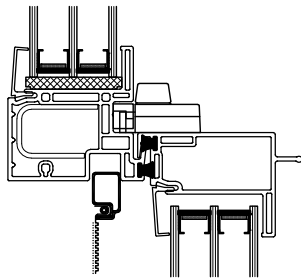
# ALPINE

## ULTIMATE PVC GLIDER WINDOWS

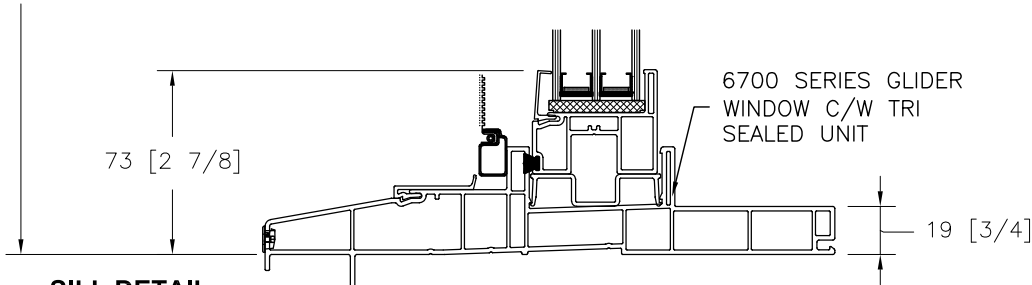
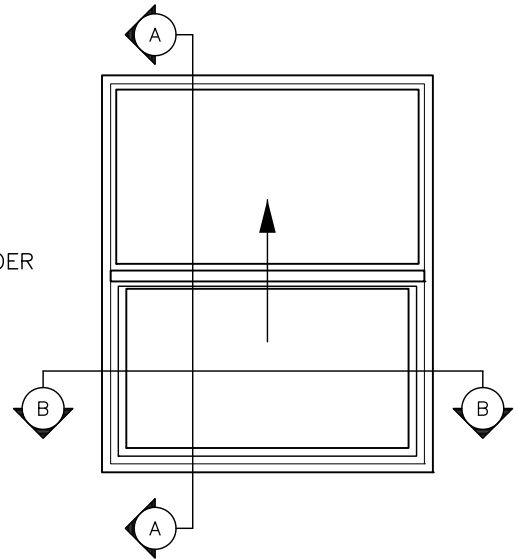
**6700 SERIES**  
SECTION DETAILS  
OPTION



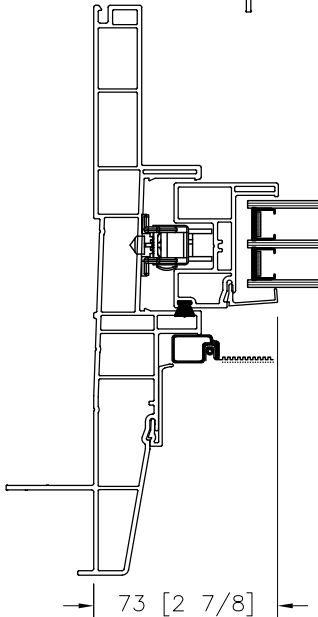
**HEAD DETAIL**  
TRIPANE WITH 7 1/2" JAMB



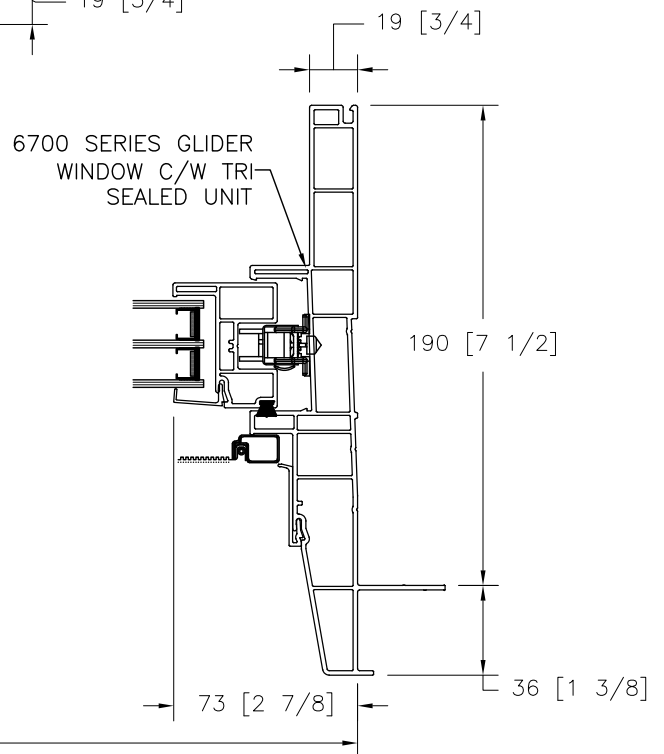
**SECTION A - A**



**SILL DETAIL**  
TRIPANE WITH 7 1/2" JAMB



**SECTION B - B**



**JAMB DETAIL**  
TRIPANE WITH 7 1/2" JAMB

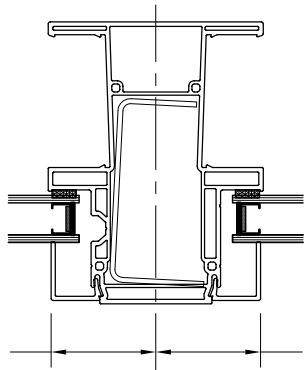


# ALPINE

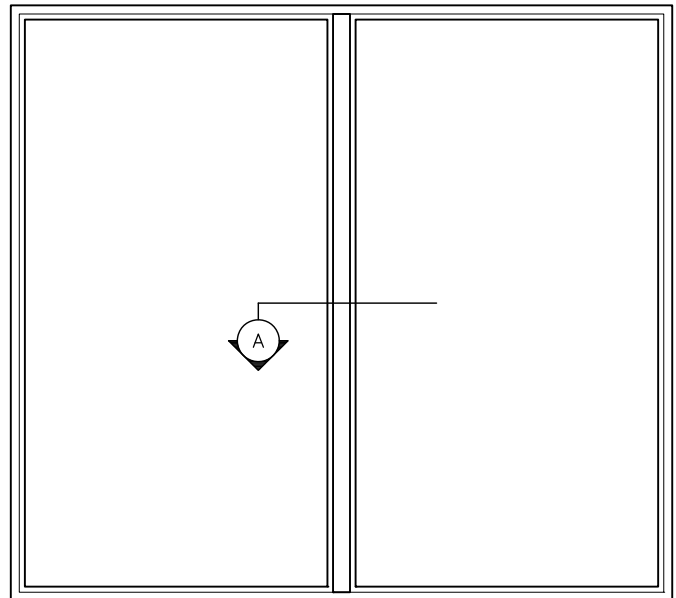
## ULTIMATE PVC GLIDER WINDOWS

### 6700 SERIES

SECTION DETAILS  
REINFORCING



**A- PICTURE / PICTURE**  
STEEL REINFORCED MULLION



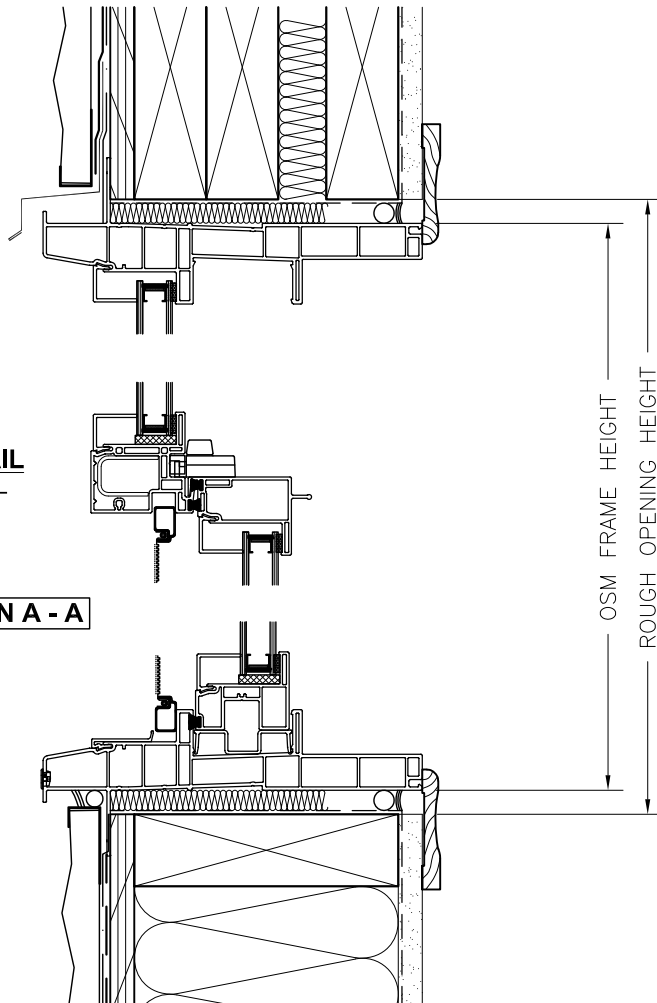
**SAMPLE ELEVATION**  
EXTERIOR VIEW



# ALPINE

## ULTIMATE PVC GLIDER WINDOWS

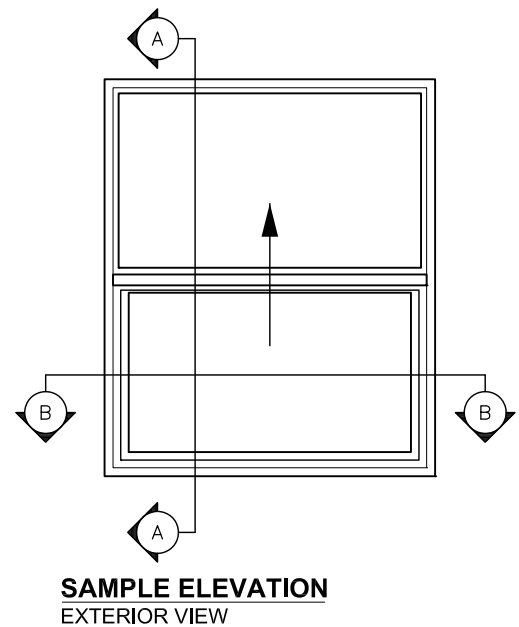
**6700 SERIES**  
SECTION DETAILS  
WALL DETAILS



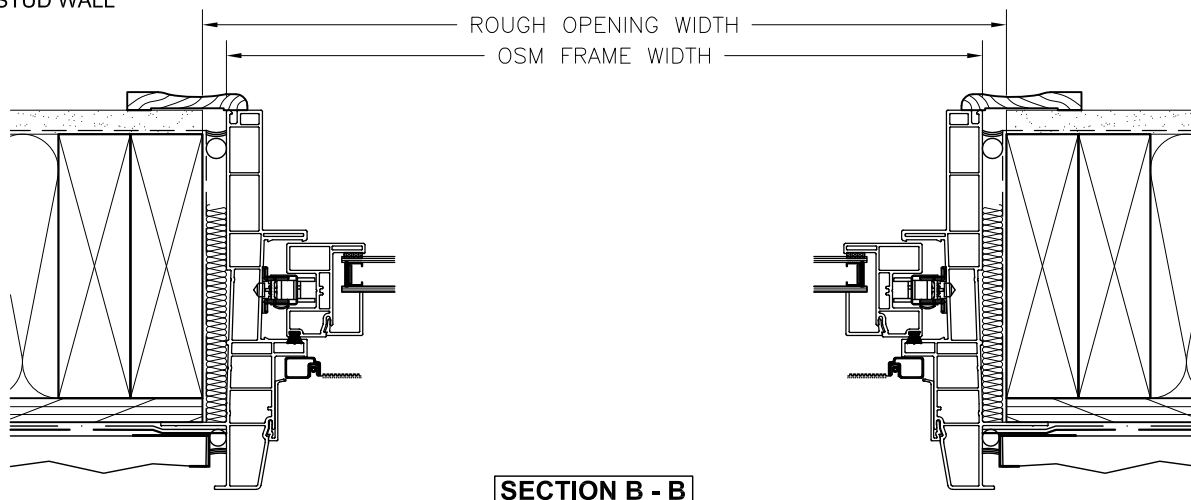
**HEAD DETAIL**  
2x6 STUD WALL

**SECTION A - A**

**SILL DETAIL**  
2x6 STUD WALL



**SAMPLE ELEVATION**  
EXTERIOR VIEW



**SECTION B - B**

**JAMB DETAIL**  
2x6 STUD WALL